

ME 12,5 OT-MSTBO GN VPE150 - Upper housing part



2890344

<https://www.phoenixcontact.com/us/products/2890344>

Please be informed that the data shown in this PDF document is generated from our online catalog. Please find the complete data in the user documentation. Our general terms of use for downloads are valid.

DIN rail housing, Upper housing part for connectors with header, width: 12.6 mm, height: 99 mm, depth: 45.85 mm, color: green (similar RAL 6021)



Your advantages

- Tool-free mounting
- Available in overall widths from 12.5 mm to 90 mm, modular extension possible
- Flammability rating V0 in accordance with UL 94
- Variety of connection technology
- Can be mounted on the DIN rail
- With integrated or DIN-rail-mountable bus connector as an option

Commercial data

| | |
|--------------------------------------|---------------|
| Item number | 2890344 |
| Packing unit | 150 pc |
| Minimum order quantity | 1 pc |
| Product key | ACHAAD |
| GTIN | 4046356083782 |
| Weight per piece (including packing) | 8.94 g |
| Weight per piece (excluding packing) | 8.13 g |
| Country of origin | DE |

2890344

<https://www.phoenixcontact.com/us/products/2890344>

Technical data

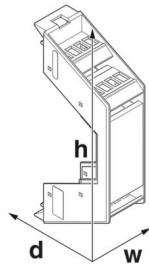
Notes

| | |
|---------|---|
| General | Refer to the data sheet for the range in the download area. |
|---------|---|

Product properties

| | |
|------------------------------|---|
| Product type | Upper housing part |
| Housing series | ME |
| Product family | ME..OT-MSTBO |
| Max. number of positions | 12 (pitch: 3.5 mm) 8 (pitch: 5 mm) |
| Number of rows | 2 |
| Type | Upper housing part for connectors with header |
| Housing type | DIN rail housing |
| Ventilation openings present | no |

Dimensions

| | |
|---------------------------------|--|
| Dimensional drawing |  |
| Width | 12.6 mm |
| Height | 99 mm |
| Depth | 45.85 mm |
| Depth from base support surface | 38.5 mm |

PCB design

| | |
|---------------|-------------------|
| PCB thickness | 1.4 mm ... 1.8 mm |
|---------------|-------------------|

Material specifications

| | |
|--|------------------|
| Color (Housing) | green (RAL 6021) |
| Flammability rating according to UL 94 | V0 |
| CTI according to IEC 60112 | 600 |
| Surface characteristics | untreated |
| Housing material | Polyamide |

Environmental and real-life conditions

Vibration test

| | |
|---------------|-----------------------|
| Specification | IEC 60068-2-6:2007-12 |
|---------------|-----------------------|

ME 12,5 OT-MSTBO GN VPE150 - Upper housing part



2890344

<https://www.phoenixcontact.com/us/products/2890344>

| | |
|------------------------|-----------------------------|
| Frequency | 10 - 150 - 10 Hz |
| Sweep speed | 1 octave/min |
| Amplitude | 0.15 mm (10 Hz ... 58.1 Hz) |
| Acceleration | 2g (58.1 Hz ... 150 Hz) |
| Test duration per axis | 2.5 h |
| Test directions | X-, Y- and Z-axis |

Glow-wire test

| | |
|------------------|------------------------|
| Specification | IEC 60695-2-11:2014-02 |
| Temperature | 850 °C |
| Time of exposure | 30 s |

Thermal stability / ball thrust test

| | |
|---------------|------------------------|
| Specification | IEC 60695-10-2:2014-02 |
| Temperature | 125 °C |
| Test duration | 1 h |
| Force | 20 N |

Mechanical strength / tumbling barrel

| | |
|----------------|---------------------|
| Specification | IEC 60998-1:2002-12 |
| Height of fall | 50 cm |
| Frequency | 10 |

Shocks

| | |
|--------------------------------|-----------------------------------|
| Specification | IEC 60068-2-27:2008-02 |
| Pulse shape | Half-sine |
| Acceleration | 15g |
| Shock duration | 11 ms |
| Number of shocks per direction | 3 |
| Test directions | X-, Y- and Z-axis (pos. and neg.) |

Degree of protection (IP code)

| | |
|---------------|---|
| Specification | IEC 60529:1989-11 + AMD 1:1999-11 + AMD 2:2013-08 |
|---------------|---|

Ambient conditions

| | |
|---|--|
| Max. IP code to attain | IP20 |
| Ambient temperature (operation) | -40 °C ... 105 °C (depending on power dissipation) |
| Ambient temperature (storage/transport) | -40 °C ... 55 °C |
| Ambient temperature (assembly) | -5 °C ... 100 °C |
| Relative humidity (storage/transport) | 80 % |

PCB data

| | |
|-----------------------|-------------------|
| Number of PCB holders | 1 |
| Type of PCB mount | Slot |
| Thickness of the PCB | 1.4 mm ... 1.8 mm |

Mounting

ME 12,5 OT-MSTBO GN VPE150 - Upper housing part



2890344

<https://www.phoenixcontact.com/us/products/2890344>

| | |
|-------------------|----------------------------------|
| Mounting type | Latching with lower housing part |
| Mounting position | Vertical (horizontal DIN rail) |

Packaging specifications

| | |
|----------------------|---------------------|
| Type of packaging | packed in cardboard |
| Outer packaging type | Carton |

ME 12,5 OT-MSTBO GN VPE150 - Upper housing part



2890344

<https://www.phoenixcontact.com/us/products/2890344>

Classifications

ECLASS

| | |
|-------------|----------|
| ECLASS-11.0 | 27182702 |
| ECLASS-13.0 | 27190603 |

ETIM

| | |
|----------|----------|
| ETIM 9.0 | EC001031 |
|----------|----------|

UNSPSC

| | |
|-------------|----------|
| UNSPSC 21.0 | 31261500 |
|-------------|----------|

ME 12,5 OT-MSTBO GN VPE150 - Upper housing part



2890344

<https://www.phoenixcontact.com/us/products/2890344>

Environmental product compliance

| | |
|------------|---|
| China RoHS | Environmentally friendly use period: unlimited = EFUP-e |
| | No hazardous substances above threshold values |

Phoenix Contact 2024 © - all rights reserved
<https://www.phoenixcontact.com>

Phoenix Contact USA
586 Fulling Mill Road
Middletown, PA 17057, United States
(+717) 944-1300
info@phoenixcon.com