

# GW PL DP/HART - Protocol converter



2316362

<https://www.phoenixcontact.com/us/products/2316362>

Please be informed that the data shown in this PDF document is generated from our online catalog. Please find the complete data in the user documentation. Our general terms of use for downloads are valid.

## HART to PROFIBUS DP protocol converter



## Product description

Protocol converter capable of connecting four HART (4-20 mA) devices to a PROFIBUS DP network

## Commercial data

Item number	2316362
Packing unit	1 pc
Minimum order quantity	1 pc
Sales key	DN11
Product key	DNC135
Catalog page	Page 462 (C-6-2019)
GTIN	4055626128306
Weight per piece (including packing)	274.3 g
Weight per piece (excluding packing)	267.3 g
Customs tariff number	85176200
Country of origin	US

## Technical data

### Notes

#### Utilization restriction

EMC note	EMC: class A product, see manufacturer's declaration in the download area
----------	---

### Product properties

Product type	Interface converter
Insulation characteristics	
Overvoltage category	II
Degree of pollution	2

### Electrical properties

#### Supply

Supply voltage range	18.5 V DC ... 30 V DC ()
Nominal supply voltage	24 V DC
Max. current consumption	75 mA

### Connection data

#### Supply

Connection method	COMBICON plug-in screw terminal block
Conductor cross section, flexible	0.20 mm <sup>2</sup> ... 2.50 mm <sup>2</sup>
Conductor cross section, rigid	0.20 mm <sup>2</sup> ... 2.50 mm <sup>2</sup>
Conductor cross section AWG	24 ... 12
Tightening torque	0.5 Nm ... 0.6 Nm

### Interfaces

#### Data: PROFIBUS DP

Data rate	9.6 kbps (min.)
	12 Mbps (max.)
Number of connections	2
Connection method	D-SUB-9, COMBICON
No. of channels	1
Tightening torque	0.5 Nm ... 0.6 Nm
Connection technology	Screw connection
Termination resistor	390 Ω - 220 Ω - 390 Ω (switchable)
Conductor cross section flexible max.	2.5 mm <sup>2</sup>
Conductor cross section flexible min.	0.2 mm <sup>2</sup>
Conductor cross section, rigid max.	2.5 mm <sup>2</sup>
Conductor cross section, rigid min.	0.2 mm <sup>2</sup>

# GW PL DP/HART - Protocol converter

2316362

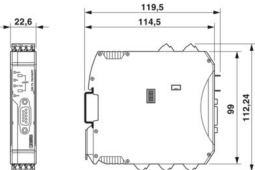
<https://www.phoenixcontact.com/us/products/2316362>

Conductor cross section AWG max.	12
Conductor cross section AWG min.	24
Protocols supported	HART, PROFIBUS DP

## Data: HART FSK

Number of connections	3
Connection method	COMBICON
No. of channels	4 (Active/Passive HART devices)
Tightening torque	0.5 Nm ... 0.6 Nm
Connection technology	Screw connection
Conductor cross section flexible max.	2.5 mm <sup>2</sup>
Conductor cross section flexible min.	0.2 mm <sup>2</sup>
Conductor cross section, rigid max.	2.5 mm <sup>2</sup>
Conductor cross section, rigid min.	0.02 mm <sup>2</sup>
Conductor cross section AWG max.	12
Conductor cross section AWG min.	24

## Dimensions

Dimensional drawing	
Width	22.5 mm
Height	99 mm
Depth	114.5 mm

## Material specifications

Color	gray
Housing material	PA V0

## Environmental and real-life conditions

### Ambient conditions

Degree of protection	IP20
Ambient temperature (operation)	-40 °C ... 85 °C
Ambient temperature (storage/transport)	-40 °C ... 85 °C
Altitude	2000 m
Permissible humidity (operation)	95 % (non-condensing)
Shock	30g, 18 ms
Vibration (operation)	5g, 10 Hz ... 150 Hz

## Approvals

Ex data

# GW PL DP/HART - Protocol converter



2316362

<https://www.phoenixcontact.com/us/products/2316362>

ATEX	PRESAFE 16ATEX7686X, II 3G, Ex nA IIC T4 Gc
IECEX	IECEX PRE 16.0001X, Ex nA IIC T4 Gc
UL, USA / Canada	Class I, Div. 2, Groups A, B, C, D Class I, Zone 2, AEx nA IIC T4, Ex nA IIC T4 GcX

## Mounting

Mounting type	DIN rail: 35 mm
Assembly instructions	on standard DIN rail NS 35 in accordance with EN 60715
Mounting position	On horizontal DIN rail NS 35 in acc. with EN 60715

# GW PL DP/HART - Protocol converter



2316362

<https://www.phoenixcontact.com/us/products/2316362>

## Classifications

### ECLASS

ECLASS-11.0	27242208
ECLASS-12.0	27242208
ECLASS-13.0	27242208

### ETIM

ETIM 9.0	EC001423
----------	----------

### UNSPSC

UNSPSC 21.0	32151700
-------------	----------

# GW PL DP/HART - Protocol converter



2316362

<https://www.phoenixcontact.com/us/products/2316362>

## Environmental product compliance

China RoHS	Environmentally Friendly Use Period = 50 years For information on hazardous substances, refer to the manufacturer's declaration available under "Downloads"
------------	--

Phoenix Contact 2024 © - all rights reserved  
<https://www.phoenixcontact.com>

Phoenix Contact USA  
586 Fulling Mill Road  
Middletown, PA 17057, United States  
(+717) 944-1300  
[info@phoenixcon.com](mailto:info@phoenixcon.com)