

HC-STA-B48-HHFS-1TTM32-EM-AL - Housing



1424854

<https://www.phoenixcontact.com/us/products/1424854>

Please be informed that the data shown in this PDF document is generated from our online catalog. Please find the complete data in the user documentation. Our general terms of use for downloads are valid.



Sleeve housing B48, for single locking latch, material: Die-cast aluminum, salt water resistant, cable outlets: 1, straight, 1x M32, height: 107.5 mm, cable gland: none, Standard

Your advantages

- Good shielding in the event of electromagnetic interference

Commercial data

Item number	1424854
Packing unit	1 pc
Minimum order quantity	1 pc
Sales key	BF56
Product key	BF7APB
Catalog page	Page 645 (C-2-2019)
GTIN	4055626382593
Weight per piece (including packing)	612.1 g
Weight per piece (excluding packing)	612.1 g
Customs tariff number	85389099
Country of origin	CN

HC-STA-B48-HHFS-1TTM32-EM-AL - Housing

1424854

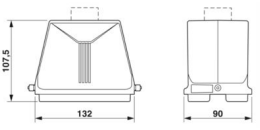
<https://www.phoenixcontact.com/us/products/1424854>

Technical data

Product properties

Type	B48
Product type	Housing with locking latch
Application	Standard
No. of cable outlets	1
Type of the screw connection	1x M32
Housing type	Sleeve housing
Cable outlet	straight
Pg screw connection	none

Dimensions

Dimensional drawing	
Width	90 mm
Height	107.5 mm
Length	132 mm

Material specifications

Housing surface material	uncoated
Impact strength	IK08
Housing material	Die-cast aluminum, salt water resistant

Mechanical properties

Mechanical data

Type of the screw connection	1x M32
Locking type	Pin

Environmental and real-life conditions

Ambient conditions

Degree of protection	IP66 IP67
Enclosure rating (NEMA)	4 (UL 50e) 4X (UL 50e) 12 (UL 50e)
Impact strength	IK08
Ambient temperature (operation)	-40 °C ... 125 °C

1424854

<https://www.phoenixcontact.com/us/products/1424854>

Classifications

ECLASS

ECLASS-11.0	27440202
ECLASS-12.0	27440202
ECLASS-13.0	27440202

ETIM

ETIM 9.0	EC000437
----------	----------

UNSPSC

UNSPSC 21.0	31261500
-------------	----------

HC-STA-B48-HHFS-1TTM32-EM-AL - Housing



1424854

<https://www.phoenixcontact.com/us/products/1424854>

Environmental product compliance

China RoHS	Environmentally friendly use period: unlimited = EFUP-e
	No hazardous substances above threshold values

Phoenix Contact 2024 © - all rights reserved
<https://www.phoenixcontact.com>

Phoenix Contact USA
586 Fulling Mill Road
Middletown, PA 17057, United States
(+717) 944-1300
info@phoenixcon.com