

HC-COM-BCFS-PLR-BK - Protective cover



1079397

<https://www.phoenixcontact.com/us/products/1079397>

Please be informed that the data shown in this PDF document is generated from our online catalog. Please find the complete data in the user documentation. Our general terms of use for downloads are valid.



Protective cover COM, for single locking latch, protective cover material: PA, height: 24.5 mm, seal: yes, Standard, for socket inserts

Commercial data

Item number	1079397
Packing unit	1 pc
Minimum order quantity	1 pc
Sales key	BF66
Product key	BF7AZC
GTIN	4055626799230
Weight per piece (including packing)	17.7 g
Weight per piece (excluding packing)	17 g
Customs tariff number	39269097
Country of origin	CN

HC-COM-BCFS-PLR-BK - Protective cover

1079397

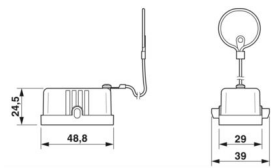
<https://www.phoenixcontact.com/us/products/1079397>

Technical data

Product properties

Type	COM
Product type	Protective cover
Application	Standard
Retaining cord present	yes
Housing type	Protective cover
Seal present	yes
Series	HC-COM

Dimensions

Dimensional drawing	
Width	39 mm
Height	24.5 mm
Length	48.8 mm

Material specifications

Material Protective cover	PA
Flammability rating according to UL 94	V0
Seal material	NBR
Material, protective cover	PA

Mechanical properties

Mechanical data

Locking type	Pin
--------------	-----

Environmental and real-life conditions

Ambient conditions

Degree of protection	IP66
Ambient temperature (operation)	-40 °C ... 125 °C

1079397

<https://www.phoenixcontact.com/us/products/1079397>

Classifications

ECLASS

ECLASS-11.0	27440208
ECLASS-12.0	27440208
ECLASS-13.0	27440208

ETIM

ETIM 9.0	EC002314
----------	----------

UNSPSC

UNSPSC 21.0	39121400
-------------	----------

HC-COM-BCFS-PLR-BK - Protective cover



1079397

<https://www.phoenixcontact.com/us/products/1079397>

Environmental product compliance

China RoHS	Environmentally friendly use period: unlimited = EFUP-e No hazardous substances above threshold values
------------	---

Phoenix Contact 2024 © - all rights reserved
<https://www.phoenixcontact.com>

Phoenix Contact USA
586 Fulling Mill Road
Middletown, PA 17057, United States
(+717) 944-1300
info@phoenixcon.com