

UCS 125-87-F-GD-RPI 7035 - Universal housings



1019724

<https://www.phoenixcontact.com/us/products/1019724>

Please be informed that the data shown in this PDF document is generated from our online catalog. Please find the complete data in the user documentation. Our general terms of use for downloads are valid.



Complete housing for printed-circuit boards. Includes housing half shells, side panels with openings for all relevant connections, adhesive pads for affixing the Raspberry Pi model B2 and B3 computers, screws for housing and PCB attachment; light gray housing with turquoise-blue corner inlays

Your advantages

- High degree of application flexibility, thanks to the modular housing design
- Flexible PCB attachment, adapts to virtually all form factors
- Practical customization options
- Reduced logistics outlay, thanks to components which are compatible with one another
- Delivery as a complete housing with ready-machined side panels

Commercial data

| | |
|--------------------------------------|---------------|
| Item number | 1019724 |
| Packing unit | 1 pc |
| Minimum order quantity | 1 pc |
| Sales key | AC03 |
| Product key | ACFCAA |
| GTIN | 4055626507538 |
| Weight per piece (including packing) | 312.8 g |
| Weight per piece (excluding packing) | 312.8 g |
| Customs tariff number | 84879090 |
| Country of origin | DE |

Technical data

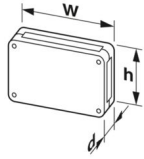
Notes

| | |
|---------|---|
| General | The housing can be opened a maximum of 10 times. |
| General | Attach the adhesive pads: Make sure that the surface of the housing is clean, dry, and free of grease. Temperature range: +18°C ... +30°C / Closing pressure force: 60 N / Closing pressure time: 3 s |

Product properties

| | |
|------------------------------|-----------------------|
| Product type | Complete housing |
| Housing series | UCS |
| Product family | UCS 125-87 |
| Type | Flat design (GD), RPI |
| Housing type | Universal housings |
| Ventilation openings present | no |

Dimensions

| | |
|---------------------|--|
| Dimensional drawing |  |
| Width | 125 mm |
| Height | 87 mm |
| Depth | 47 mm |
| Dimensions | 100 mm x 62 mm (Maximum circuit board dimensions) |

PCB design

| | |
|---------------|-----------------|
| PCB thickness | 0.8 mm ... 3 mm |
|---------------|-----------------|

Material specifications

| | |
|--|-----------------------|
| Color (Housing) | light grey (RAL 7035) |
| Flammability rating according to UL 94 | V0 |
| CTI according to IEC 60112 | 225 |
| Insulating material | PC |
| Surface characteristics | untreated |
| Housing material | PC |

Environmental and real-life conditions

Power dissipation single housing for 20 °C

| | |
|---------------------|----------|
| Ambient temperature | 20 °C |
| Reduction factor | 1 |
| Mounting position | vertical |

UCS 125-87-F-GD-RPI 7035 - Universal housings



1019724

<https://www.phoenixcontact.com/us/products/1019724>

| | |
|-------------------|-------|
| Power dissipation | 9.7 W |
|-------------------|-------|

Power dissipation single housing for 30 °C

| | |
|---------------------|----------|
| Ambient temperature | 30 °C |
| Reduction factor | 0.85 |
| Mounting position | vertical |
| Power dissipation | 8.3 W |

Power dissipation single housing for 40 °C

| | |
|---------------------|----------|
| Ambient temperature | 40 °C |
| Reduction factor | 0.68 |
| Mounting position | vertical |
| Power dissipation | 6.5 W |

Power dissipation single housing for 50 °C

| | |
|---------------------|----------|
| Ambient temperature | 50 °C |
| Reduction factor | 0.55 |
| Mounting position | vertical |
| Power dissipation | 5.4 W |

Power dissipation single housing for 60 °C

| | |
|---------------------|----------|
| Ambient temperature | 60 °C |
| Reduction factor | 0.4 |
| Mounting position | vertical |
| Power dissipation | 3.9 W |

Vibration test

| | |
|------------------------|-----------------------------|
| Specification | IEC 60068-2-6:2007-12 |
| Frequency | 10 - 150 - 10 Hz |
| Sweep speed | 1 octave/min |
| Amplitude | 0.15 mm (10 Hz ... 58.1 Hz) |
| Acceleration | 2g (58.1 Hz ... 150 Hz) |
| Test duration per axis | 2.5 h |
| Test directions | X-, Y- and Z-axis |

Glow-wire test

| | |
|------------------|------------------------|
| Specification | IEC 60695-2-11:2014-02 |
| Temperature | 850 °C |
| Time of exposure | 30 s |

Thermal stability / ball thrust test

| | |
|---------------|------------------------|
| Specification | IEC 60695-10-2:2014-02 |
| Temperature | 125 °C |
| Test duration | 1 h |
| Force | 20 N |

Mechanical strength / tumbling barrel

| | |
|---------------|------------------------|
| Specification | IEC 60068-2-31:2008-05 |
|---------------|------------------------|

UCS 125-87-F-GD-RPI 7035 - Universal housings



1019724

<https://www.phoenixcontact.com/us/products/1019724>

| | |
|----------------|-------|
| Height of fall | 50 cm |
| Frequency | 50 |

Shocks

| | |
|--------------------------------|-----------------------------------|
| Specification | IEC 60068-2-27:2008-02 |
| Pulse shape | Half-sine |
| Acceleration | 15g |
| Shock duration | 11 ms |
| Number of shocks per direction | 3 |
| Test directions | X-, Y- and Z-axis (pos. and neg.) |

Test for substances that would hinder coating with paint or varnish

| | |
|---------------|----------------------|
| Specification | VW PV 3.10.7:2005-02 |
| Result | Test passed |

Degree of protection (IP code)

| | |
|---------------------------------------|---|
| Specification | IEC 60529:1989-11 + AMD 1:1999-11 + AMD 2:2013-08 |
| Result, degree of protection, IP code | IP20 |

Ambient conditions

| | |
|---|--|
| Max. IP code to attain | IP20 |
| Ambient temperature (operation) | -40 °C ... 105 °C (depending on power dissipation) |
| Ambient temperature (storage/transport) | -40 °C ... 55 °C |
| Ambient temperature (assembly) | -5 °C ... 100 °C |
| Relative humidity (storage/transport) | 80 % |

PCB data

| | |
|------------------------|---|
| Number of PCB holders | 1 |
| Type of PCB mount | Bolt mounting |
| Total PCB surface | 6000 mm ² |
| Thickness of the PCB | 0.8 mm ... 3 mm |
| Supported form factors | Raspberry Pi |
| Note on PCB holders | This product is prepared for a printed-circuit board. Additional printed-circuit boards can be mounted using adhesive pads (accessories). |

Mounting

| | |
|---------------------------|---|
| Mounting type | Screw mounting |
| Mounting position | any |
| Tightening torque / speed | Screw connection between housing halves: 1.2 Nm-1.4 Nm / 500 rpm-1000 rpm Mounting the PCB: 0.4 Nm-0.5 Nm / 500 rpm-1000 rpm |

Packaging specifications

| | |
|-------------------|---------------|
| Type of packaging | Box packaging |
|-------------------|---------------|

UCS 125-87-F-GD-RPI 7035 - Universal housings



1019724

<https://www.phoenixcontact.com/us/products/1019724>

Classifications

ECLASS

| | |
|-------------|----------|
| ECLASS-11.0 | 27182702 |
| ECLASS-13.0 | 27190603 |

ETIM

| | |
|----------|----------|
| ETIM 9.0 | EC001031 |
|----------|----------|

UNSPSC

| | |
|-------------|----------|
| UNSPSC 21.0 | 31261500 |
|-------------|----------|

Phoenix Contact 2024 © - all rights reserved

<https://www.phoenixcontact.com>

Phoenix Contact USA
586 Fulling Mill Road
Middletown, PA 17057, United States
(+717) 944-1300
info@phoenixcon.com