

INJ 1010 - Injector

2703007

<https://www.phoenixcontact.com/us/products/2703007>

Please be informed that the data shown in this PDF document is generated from our online catalog. Please find the complete data in the user documentation. Our general terms of use for downloads are valid.

PoE injector, 60 W, two RJ45 jacks, 10/100/1000 Mbps, DIN rail mounting, IP20



Product description

The midspan injectors connect Ethernet devices without PoE (e.g., switches) to PoE-capable end devices (e.g., IP cameras). As power sourcing equipment (PSE), the injector supplies the required power to a powered device (PD) via the data cable. The injector and end device negotiate the electrical power requirements autonomously.

Your advantages

- Extended supply voltage range of 18 V DC ... 57 V DC, redundant
- 10/100/1000 Mbps
- Mounting on a DIN rail
- Safe shield connection to ground potential

Commercial data

Item number	2703007
Packing unit	1 pc
Sales key	DN18
Product key	DNC351
Catalog page	Page 345 (C-6-2019)
GTIN	4055626462950
Weight per piece (including packing)	394.5 g
Weight per piece (excluding packing)	380 g
Customs tariff number	85176200
Country of origin	TW

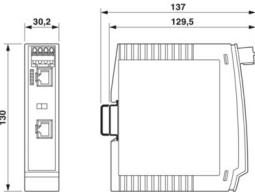
INJ 1010 - Injector

2703007

<https://www.phoenixcontact.com/us/products/2703007>

Technical data

Dimensions

Dimensional drawing	
Width	30.2 mm
Height	130 mm
Depth	120 mm

Material specifications

Color	gray
Housing material	Plastic

Mounting

Mounting type	DIN rail mounting
Mounting position	vertical

Interfaces

Basic functions	PSE/Midspan, compliant with IEEE 802.3af, at
-----------------	--

Data: Power over Ethernet

Serial transmission speed	10/100/1000 Mbps
Connection method	RJ45 jack
No. of channels	1
Pin assignment	1:1
Transmission length	100 m (including patch cables)
Output nominal voltage	54 V DC (PoE)
Output power	60 W

Data: Ethernet

Connection method	RJ45 CAT5e
-------------------	------------

Product properties

Product type	Injector
MTTF	133.8 Years (MIL-HDBK-217F standard, temperature 25°C, operating cycle 100%)

Electrical properties

Maximum power dissipation for nominal condition	65.52 W
---	---------

Supply

INJ 1010 - Injector



2703007

<https://www.phoenixcontact.com/us/products/2703007>

Supply voltage range	18 V DC ... 57 V DC (Ordinary locations)
	24 V DC ... 48 V DC (Hazardous locations)
Nominal supply voltage	24 V DC
	48 V DC
Max. current consumption	4.2 A
	2.73 A (24 V DC)
	1.34 A (48 V DC)
Power consumption	≤ 75 W
Protective circuit	Reverse polarity protection

Connection data

Supply

Conductor cross section flexible, with ferrule without plastic sleeve	0.25 mm ² ... 2.5 mm ²
Conductor cross section, flexible, with ferrule, with plastic sleeve	0.25 mm ² ... 2.5 mm ²
Conductor cross section, flexible	0.20 mm ² ... 2.50 mm ²
Conductor cross section, rigid	0.20 mm ² ... 2.50 mm ²
Conductor cross section AWG	20 ... 12

Environmental and real-life conditions

Ambient conditions

Degree of protection	IP20 (Non-certificated by UL)
Ambient temperature (operation)	0 °C ... 60 °C
Ambient temperature (storage/transport)	-40 °C ... 85 °C
Altitude	≤ 5000 m (For restrictions, see the manufacturer's declaration for altitude operation)
	≤ 2000 m (with UL approval)
Permissible humidity (operation)	10 % ... 95 % (non-condensing)

Approvals

CE

Identification	CE-compliant
----------------	--------------

UL, USA/Canada

Identification	Class I, Div. 2, Groups A, B, C, D T4
----------------	---------------------------------------

Corrosive gas test

Identification	ISA-S71.04-1985 G3 Harsh Group A
----------------	----------------------------------

EMC data

Electromagnetic compatibility	Conformance with EMC Directive 2014/30/EU
-------------------------------	---

Electrostatic discharge

Standards/regulations	EN 61000-4-2
-----------------------	--------------

INJ 1010 - Injector



2703007

<https://www.phoenixcontact.com/us/products/2703007>

Electrostatic discharge

Contact discharge	± 6 kV (Test Level 3)
Discharge in air	± 8 kV (Test Level 3)
Indirect discharge	± 6 kV
Comments	Criterion B

Electromagnetic HF field

Standards/regulations	EN 61000-4-3
-----------------------	--------------

Electromagnetic HF field

Frequency range	80 MHz ... 3 GHz (Test Level 3)
Field intensity	10 V/m
Comments	Criterion A

Fast transients (burst)

Standards/regulations	EN 61000-4-4
-----------------------	--------------

Fast transients (burst)

Input	± 2.2 kV (1 minute)
Signal	± 2.2 kV (1 minute)
Comments	Criterion B

Surge current load (surge)

Standards/regulations	EN 61000-4-5
-----------------------	--------------

Surge current load (surge)

Input	± 0.5 kV
Signal	± 1 kV (Data line, asymmetrical) ± 2 kV (I/O cable on field side only, asymmetric)
Comments	Criterion B

Conducted interference

Standards/regulations	EN 61000-4-6
-----------------------	--------------

Conducted interference

Frequency range	0.15 MHz ... 80 MHz
Comments	Criterion A
Voltage	10 V

Emitted interference

Standards/regulations	EN 61000-6-4
Comments	Class A, industrial applications

Emitted interference

Standards/regulations	EN 61000-6-3
Comments	Class B, domain of use: residential and small commercial

System properties

INJ 1010 - Injector



2703007

<https://www.phoenixcontact.com/us/products/2703007>

Functionality

Basic functions

PSE/Midspan, compliant with IEEE 802.3af, at

INJ 1010 - Injector

2703007

<https://www.phoenixcontact.com/us/products/2703007>



Classifications

ECLASS

ECLASS-11.0	19170112
ECLASS-12.0	19170112
ECLASS-13.0	19170112

ETIM

ETIM 9.0	EC002697
----------	----------

UNSPSC

UNSPSC 21.0	43223300
-------------	----------

INJ 1010 - Injector



2703007

<https://www.phoenixcontact.com/us/products/2703007>

Environmental product compliance

REACH SVHC	Lead 7439-92-1
China RoHS	Environmentally Friendly Use Period = 10; For information on hazardous substances, refer to the manufacturer's declaration available under "Downloads"

Phoenix Contact 2024 © - all rights reserved
<https://www.phoenixcontact.com>

Phoenix Contact USA
586 Fulling Mill Road
Middletown, PA 17057, United States
(+717) 944-1300
info@phoenixcon.com