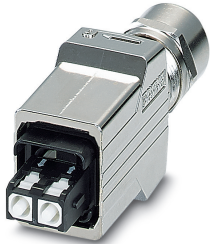


SC-RJ connectors - FOC-V14-C1S-S/SJFG:10 - 1408069

Please be informed that the data shown in this PDF Document is generated from our Online Catalog. Please find the complete data in the user's documentation. Our General Terms of Use for Downloads are valid (<http://phoenixcontact.com/download>)




SC-RJ connectors, degree of protection: IP65/IP67, number of positions: 2, 100 Mbps, material: Stainless steel 1.4404, connection method: Push-pull, cable outlet: straight

Your advantages

- ✓ Push-pull ADVANCE connector
- ✓ Stainless steel design
- ✓ Locking system to prevent inadvertent removal
- ✓ Protected data transmission, thanks to 360° shielding concept
- ✓ High resistance to ESD and EMC for reliable transmission



Key Commercial Data

Packing unit	1
GTIN	 4 046356 788809
GTIN	4046356788809
Custom tariff number	85367000

Technical data

Standards and Regulations

Standards/specifications	IEC 61076
Flame resistance	yes
Resistance to oil	yes
Flammability rating according to UL 94	V0

Environmental Product Compliance

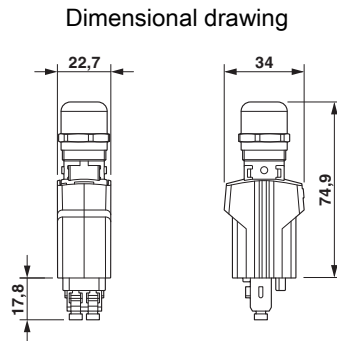
SC-RJ connectors - FOC-V14-C1S-S/SJFG:10 - 1408069

Technical data

Environmental Product Compliance

REACH SVHC	Lead 7439-92-1
------------	----------------

Drawings



Classifications

eCl@ss

eCl@ss 10.0.1	27061803
eCl@ss 11.0	27061803
eCl@ss 4.0	24010400
eCl@ss 4.1	24010400
eCl@ss 5.0	19030300
eCl@ss 5.1	19030300
eCl@ss 6.0	27061800
eCl@ss 7.0	27061803
eCl@ss 9.0	27061803

ETIM

ETIM 3.0	EC001121
ETIM 4.0	EC002641
ETIM 6.0	EC000034
ETIM 7.0	EC000034

UNSPSC

UNSPSC 6.01	31261501
UNSPSC 7.0901	31261501
UNSPSC 11	31261501
UNSPSC 12.01	31261501
UNSPSC 13.2	31261501

SC-RJ connectors - FOC-V14-C1S-S/SJFG:10 - 1408069

Classifications

UNSPSC

UNSPSC 18.0	26121607
UNSPSC 19.0	26121607
UNSPSC 20.0	26121607
UNSPSC 21.0	26121607

Approvals

Approvals

Approvals

UL Listed / EAC

Ex Approvals

Approval details

UL Listed		http://database.ul.com/cgi-bin/XYV/template/LISEXT/1FRAME/index.htm	E308814-20180830
-----------	---	---	------------------

EAC		B.01687
-----	---	---------
