

EH 22,5 F-C CS/ABS-PC BK9005 - Upper housing part



1074970

<https://www.phoenixcontact.com/us/products/1074970>

Please be informed that the data shown in this PDF document is generated from our online catalog. Please find the complete data in the user documentation. Our general terms of use for downloads are valid.

DIN rail housing, Upper housing part, flat design, no connection opening, width: 22.6 mm, height: 75.26 mm, depth: 36.95 mm, color: black (similar RAL 9005)



Your advantages

- DIN rail or wall mounting for application-specific device attachment
- Easy design-in, thanks to variable housing form factor
- Complete flexibility, thanks to PCBs with horizontal, frontal, and orthogonal orientation to the front of the device
- Three cover versions for individual PCB connections
- Integration of a wide variety of PCB connection technologies for a functional device design

Commercial data

Item number	1074970
Packing unit	10 pc
Minimum order quantity	1 pc
Product key	ACHCHC
GTIN	4055626777900
Weight per piece (including packing)	12.2 g
Weight per piece (excluding packing)	11.54 g
Country of origin	IN

1074970

<https://www.phoenixcontact.com/us/products/1074970>

Technical data

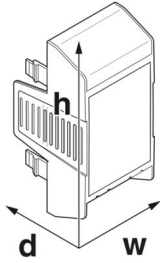
Notes

General	Refer to the data sheet for the range in the download area.
---------	---

Product properties

Product type	Upper housing part
Housing series	EH
Product family	EH 22,5-..
Type	Upper housing part, flat design, no connection opening
Housing type	DIN rail housing
Ventilation openings present	yes

Dimensions

Dimensional drawing	
Width	22.6 mm
Height	75.26 mm
Depth	36.95 mm

Material specifications

Color (Housing)	black (RAL 9005)
Flammability rating according to UL 94	V0
Surface characteristics	untreated
Housing material	ABS-PC

Environmental and real-life conditions

Ambient conditions

Max. IP code to attain	IP20
Ambient temperature (operation)	-40 °C ... 80 °C (depending on power dissipation)
Ambient temperature (storage/transport)	-40 °C ... 55 °C
Ambient temperature (assembly)	-5 °C ... 80 °C
Relative humidity (storage/transport)	95 %

PCB data

Type of PCB mount	Latching
-------------------	----------

EH 22,5 F-C CS/ABS-PC BK9005 - Upper housing part



1074970

<https://www.phoenixcontact.com/us/products/1074970>

Mounting

Mounting type

Snap in

1074970

<https://www.phoenixcontact.com/us/products/1074970>

Classifications

ECLASS

ECLASS-11.0	27182702
ECLASS-13.0	27190603

ETIM

ETIM 9.0	EC001031
----------	----------

UNSPSC

UNSPSC 21.0	31261500
-------------	----------

EH 22,5 F-C CS/ABS-PC BK9005 - Upper housing part



1074970

<https://www.phoenixcontact.com/us/products/1074970>

Environmental product compliance

China RoHS	Environmentally friendly use period: unlimited = EFUP-e No hazardous substances above threshold values
------------	---

Phoenix Contact 2024 © - all rights reserved
<https://www.phoenixcontact.com>

Phoenix Contact USA
586 Fulling Mill Road
Middletown, PA 17057, United States
(+717) 944-1300
info@phoenixcon.com