

# EH 70 F-C CS/ABS-PC BK9005 - Upper housing part



1074746

<https://www.phoenixcontact.com/us/products/1074746>

Please be informed that the data shown in this PDF document is generated from our online catalog. Please find the complete data in the user documentation. Our general terms of use for downloads are valid.

DIN rail housing, Upper housing part, flat design, no connection opening, width: 70.1 mm, height: 74.65 mm, depth: 36.95 mm, color: black (similar RAL 9005)



## Your advantages

- DIN rail or wall mounting for application-specific device attachment
- Easy design-in, thanks to variable housing form factor
- Complete flexibility, thanks to PCBs with horizontal, frontal, and orthogonal orientation to the front of the device
- Three cover versions for individual PCB connections
- Integration of a wide variety of PCB connection technologies for a functional device design

## Commercial data

Item number	1074746
Packing unit	10 pc
Minimum order quantity	1 pc
Product key	ACHCHC
GTIN	4055626775982
Weight per piece (including packing)	67.3 g
Weight per piece (excluding packing)	63.46 g
Country of origin	IN

1074746

<https://www.phoenixcontact.com/us/products/1074746>

## Technical data

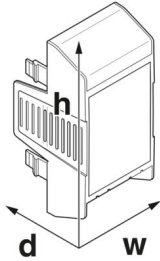
### Notes

General	Refer to the data sheet for the range in the download area.
---------	---

### Product properties

Product type	Upper housing part
Housing series	EH
Product family	EH 70-..
Type	Upper housing part, flat design, no connection opening
Housing type	DIN rail housing
Ventilation openings present	yes

### Dimensions

Dimensional drawing		
Width		70.1 mm
Height		74.65 mm
Depth		36.95 mm

### Material specifications

Color (Housing)	black (RAL 9005)
Flammability rating according to UL 94	V0
Surface characteristics	untreated
Housing material	ABS-PC

### Environmental and real-life conditions

#### Ambient conditions

Max. IP code to attain	IP20
Ambient temperature (operation)	-40 °C ... 80 °C (depending on power dissipation)
Ambient temperature (storage/transport)	-40 °C ... 55 °C
Ambient temperature (assembly)	-5 °C ... 80 °C
Relative humidity (storage/transport)	95 %

### PCB data

Type of PCB mount	Slot
-------------------	------

# EH 70 F-C CS/ABS-PC BK9005 - Upper housing part



1074746

<https://www.phoenixcontact.com/us/products/1074746>

## Mounting

Mounting type	Snap in
Mounting position	Vertical (horizontal DIN rail)

# EH 70 F-C CS/ABS-PC BK9005 - Upper housing part



1074746

<https://www.phoenixcontact.com/us/products/1074746>

## Classifications

### ECLASS

ECLASS-11.0	27182702
ECLASS-13.0	27190603

### ETIM

ETIM 9.0	EC001031
----------	----------

### UNSPSC

UNSPSC 21.0	31261500
-------------	----------

# EH 70 F-C CS/ABS-PC BK9005 - Upper housing part



1074746

<https://www.phoenixcontact.com/us/products/1074746>

## Environmental product compliance

China RoHS	Environmentally friendly use period: unlimited = EFUP-e No hazardous substances above threshold values
------------	---

Phoenix Contact 2024 © - all rights reserved  
<https://www.phoenixcontact.com>

Phoenix Contact USA  
586 Fulling Mill Road  
Middletown, PA 17057, United States  
(+717) 944-1300  
[info@phoenixcon.com](mailto:info@phoenixcon.com)