

SAC-5P-M12MS BK BR 1-2-4 - Short-circuit connector



1054366

<https://www.phoenixcontact.com/us/products/1054366>

Please be informed that the data shown in this PDF document is generated from our online catalog. Please find the complete data in the user documentation. Our general terms of use for downloads are valid.



Termination plug for PSR-CT series RFID transponder switches, M12 male, 5-pos., closes the circuit at the last Y distributor in a series connection

Product description

Blind plugs for each sensor circuit from the PSR-CT safety circuits.

Your advantages

- Easy installation with M12 connection
- Eliminates wiring errors

Commercial data

Item number	1054366
Packing unit	1 pc
Minimum order quantity	1 pc
Sales key	BF10
Product key	BF1GVX
Catalog page	Page 213 (C-6-2019)
GTIN	4055626698007
Weight per piece (including packing)	12.7 g
Weight per piece (excluding packing)	11.9 g
Customs tariff number	85332100
Country of origin	DE

SAC-5P-M12MS BK BR 1-2-4 - Short-circuit connector



1054366

<https://www.phoenixcontact.com/us/products/1054366>

Technical data

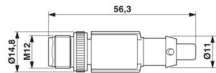
Product properties

Product type	Terminal resistor
Number of positions	5
Coding	A

Insulation characteristics

Overvoltage category	II
Degree of pollution	3

Dimensions

Dimensional drawing	
Width	15 mm
Height	14.8 mm
Length	56.3 mm

Material specifications

Flammability rating according to UL 94	HB
----------------------------------------	----

Connector

Connection 1

Type	Plug straight M12
Number of positions	5
Coding type	A

Mechanical properties

Mechanical data

Insertion/withdrawal cycles	≥ 100
-----------------------------	-------

Environmental and real-life conditions

Ambient conditions

Degree of protection	IP65 IP67
Ambient temperature (operation)	-25 °C ... 90 °C (Plug)

SAC-5P-M12MS BK BR 1-2-4 - Short-circuit connector



1054366

<https://www.phoenixcontact.com/us/products/1054366>

Classifications

ECLASS

ECLASS-11.0	19070403
ECLASS-12.0	19070403
ECLASS-13.0	19070403

ETIM

ETIM 9.0	EC000448
----------	----------

UNSPSC

UNSPSC 21.0	26121600
-------------	----------

SAC-5P-M12MS BK BR 1-2-4 - Short-circuit connector



1054366

<https://www.phoenixcontact.com/us/products/1054366>

Environmental product compliance

China RoHS	Environmentally friendly use period: unlimited = EFUP-e
	No hazardous substances above threshold values

Phoenix Contact 2024 © - all rights reserved
<https://www.phoenixcontact.com>

Phoenix Contact USA
586 Fulling Mill Road
Middletown, PA 17057, United States
(+717) 944-1300
info@phoenixcon.com