

SAC-8PY-M/2XF BK 1-PSR - Y distributor



1054338

<https://www.phoenixcontact.com/us/products/1054338>

Please be informed that the data shown in this PDF document is generated from our online catalog. Please find the complete data in the user documentation. Our general terms of use for downloads are valid.



Y distributor for PSR-CT series RFID transponder switches, M12 male/female, 5- and 8-pos., for safe series connection of up to 30 devices

Product description

Type 1 Y distributor for series connection of PSR-CT safety circuits.

Your advantages

- Easy implementation of safe series connection for up to 30 devices
- Easy installation with M12 connection
- Eliminates wiring errors

Commercial data

Item number	1054338
Packing unit	1 pc
Minimum order quantity	1 pc
Sales key	BF10
Product key	BF1GAC
Catalog page	Page 213 (C-6-2019)
GTIN	4055626694955
Weight per piece (including packing)	32.5 g
Weight per piece (excluding packing)	32.6 g
Customs tariff number	85366990
Country of origin	PL

SAC-8PY-M/2XF BK 1-PSR - Y distributor



1054338

<https://www.phoenixcontact.com/us/products/1054338>

Technical data

Product properties

Product type	Y-distributor
Number of positions	8
No. of cable outlets	2
Shielded	no
Coding	A
Thread type	M12

Insulation characteristics

Overvoltage category	II
Degree of pollution	3

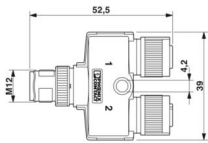
Electrical properties

Insulation resistance	$\geq 100 \text{ M}\Omega$
Nominal voltage U_N	30 V AC
	30 V DC
Nominal current I_N	2 A

Signaling

Status display	No
Status display present	No

Dimensions

Dimensional drawing	
Width	39 mm
Height	16 mm
Length	52.5 mm
Center distance	21 mm

Material specifications

Flammability rating according to UL 94	HB
Seal material	NBR
Material of grip body	TPU, hardly inflammable, self-extinguishing
Contact material	CuZn
Contact surface material	Ni/Au
Contact carrier material	TPU GF
Material for screw connection	Zinc die-cast, nickel-plated

1054338

<https://www.phoenixcontact.com/us/products/1054338>

Connector

Connection 1

Type	Plug straight M12 SPEEDCON
Locking type	SPEEDCON
Coding type	A

Connection 2

Type	Socket straight M12 SPEEDCON
Locking type	SPEEDCON
Coding type	A

Connection 3

Type	Plug straight M12 SPEEDCON
Locking type	SPEEDCON
Coding type	A

Mechanical properties

Mechanical data

Insertion/withdrawal cycles	≥ 100
-----------------------------	-------

Environmental and real-life conditions

Ambient conditions

Degree of protection	IP65
	IP67
Ambient temperature (operation)	-25 °C ... 90 °C (Plug / socket)

Standards and regulations

M12

Standard designation	M12 connector
Standards/specifications	IEC 61076-2-101

SAC-8PY-M/2XF BK 1-PSR - Y distributor



1054338

<https://www.phoenixcontact.com/us/products/1054338>

Classifications

ECLASS

ECLASS-11.0	27440106
ECLASS-12.0	27440106
ECLASS-13.0	27440106

ETIM

ETIM 9.0	EC002925
----------	----------

UNSPSC

UNSPSC 21.0	31251500
-------------	----------

SAC-8PY-M/2XF BK 1-PSR - Y distributor



1054338

<https://www.phoenixcontact.com/us/products/1054338>

Environmental product compliance

China RoHS	Environmentally friendly use period: unlimited = EFUP-e
	No hazardous substances above threshold values

Phoenix Contact 2024 © - all rights reserved
<https://www.phoenixcontact.com>

Phoenix Contact USA
586 Fulling Mill Road
Middletown, PA 17057, United States
(+717) 944-1300
info@phoenixcon.com