

VAL-MS 350 VF-RW ST - Type 2 surge protection plug



1050280

<https://www.phoenixcontact.com/us/products/1050280>

Please be informed that the data shown in this PDF document is generated from our online catalog. Please find the complete data in the user documentation. Our general terms of use for downloads are valid.



Surge protection plug type 2 with series connection consisting of a varistor and gas-filled spark gap for VAL-MS base element, thermal monitoring, visual fault warning. Version: 350 V AC with increased lightning current discharge capacity.

Commercial data

Item number	1050280
Packing unit	10 pc
Minimum order quantity	1 pc
Product key	CL1321
Catalog page	Page 63 (C-4-2019)
GTIN	4055626665177
Weight per piece (including packing)	52.95 g
Weight per piece (excluding packing)	47.43 g
Country of origin	DE

Technical data

Notes

General

Note	Usable in all low-voltage systems between L-N or L-PEN. Only usable in IT Systems between L-PE, if the exposed-conductive-parts (bodies) of the equipment of the low-voltage installation is connected to the earthing arrangement of the transformer substation. (interconnected earthing arrangement of the HV-transformer substation with the bodies of the LV-installation. $R_E = R_A$ accordance to IEC 60364-4-442 / VDE 0100-442 Fig. 44D / Example a)
------	---

Product properties

IEC test classification	II
	T2
EN type	T2
IEC power supply system	TN
	TT
	IT
Type	DIN rail module, two-section, divisible
Product type	Replacement plug
Product family	VALVETRAB MS
Number of positions	1
Surge protection fault message	optical

Insulation characteristics

Overvoltage category	III
Pollution degree	2

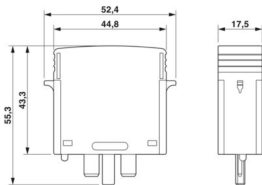
Electrical properties

Nominal frequency f_N	50 Hz (60 Hz)
-------------------------	---------------

Connection data

Connection method	pluggable
-------------------	-----------

Dimensions

Dimensional drawing	
Width	17.5 mm
Height	52.4 mm

VAL-MS 350 VF-RW ST - Type 2 surge protection plug



1050280

<https://www.phoenixcontact.com/us/products/1050280>

Depth	55.3 mm
Horizontal pitch	1 Div.

Material specifications

Color	black (RAL 9005)
Flammability rating according to UL 94	V-0
CTI value of material	600
Insulating material	PA 6.6
Material group	I
Housing material	PA 6.6

Protective circuit

Mode of protection	L-N
	L-PE
	L-PEN
Nominal voltage U_N	240/415 V AC (TN)
	240/415 V AC (TT)
	230 V AC (IT)
Nominal frequency f_N	50 Hz (60 Hz)
Maximum continuous voltage U_C	350 V AC
Residual current I_{PE}	$\leq 5 \mu A$
Standby power consumption P_C	≤ 2.00 mVA
Nominal discharge current I_n (8/20) μs	10 kA
Maximum discharge current I_{max} (8/20) μs	20 kA
Impulse discharge current (10/350) μs , charge	1.25 As
Impulse discharge current (10/350) μs , specific energy	1.56 kJ/ Ω
Impulse discharge current (10/350) μs , peak value I_{imp}	2.5 kA
Short-circuit current rating I_{SCCR}	25 kA
Voltage protection level U_p	≤ 1.5 kV
Residual voltage U_{res}	≤ 1.35 kV (at I_n)
	≤ 1.35 kV (at 10 kA)
	≤ 1.2 kV (at 5 kA)
Front of wave sparkover voltage at 6 kV (1.2/50) μs	≤ 1.5 kV
TOV behavior at U_T	415 V AC (5 s / withstand mode)
	440 V AC (120 min / withstand mode)
Response time t_A	≤ 100 ns
Max. backup fuse with branch wiring	125 A (gG)

Additional technical data

Impulse discharge current (10/350) μs , charge	1.25 As
Impulse discharge current (10/350) μs , specific energy	1.56 kJ/ Ω
Impulse discharge current (10/350) μs , peak value I_{imp}	2.5 kA (3 x)

Environmental and real-life conditions

VAL-MS 350 VF-RW ST - Type 2 surge protection plug



1050280

<https://www.phoenixcontact.com/us/products/1050280>

Ambient conditions

Degree of protection	IP20
Ambient temperature (operation)	-40 °C ... 80 °C
Ambient temperature (storage/transport)	-40 °C ... 80 °C
Altitude	≤ 2000 m (amsl)
Permissible humidity (operation)	5 % ... 95 %
Shock (operation)	25g (Half-sine / 11 ms / 3x ±X, ±Y, ±Z)
Vibration (operation)	5g (10 ... 500 Hz / 2.5 h / X, Y, Z)

Standards and regulations

Standards/specifications	IEC 61643-11
Note	2011
Standards/specifications	EN 61643-11
Note	2012

Mounting

Mounting type	on base element
---------------	-----------------

VAL-MS 350 VF-RW ST - Type 2 surge protection plug



1050280

<https://www.phoenixcontact.com/us/products/1050280>

Classifications

ECLASS

ECLASS-11.0	27130890
ECLASS-13.0	27171292

ETIM

ETIM 9.0	EC002496
----------	----------

UNSPSC

UNSPSC 21.0	39121600
-------------	----------

VAL-MS 350 VF-RW ST - Type 2 surge protection plug



1050280

<https://www.phoenixcontact.com/us/products/1050280>

Environmental product compliance

China RoHS	Environmentally friendly use period: unlimited = EFUP-e
	No hazardous substances above threshold values

Phoenix Contact 2024 © - all rights reserved
<https://www.phoenixcontact.com>

Phoenix Contact USA
586 Fulling Mill Road
Middletown, PA 17057, United States
(+717) 944-1300
info@phoenixcon.com