

ECS-B-122X169-S-UV-V GY - Electronics housing



1050209

<https://www.phoenixcontact.com/us/products/1050209>

Please be informed that the data shown in this PDF document is generated from our online catalog. Please find the complete data in the user documentation. Our general terms of use for downloads are valid.

Screw locking vented enclosure of the ECS Family. IP66/67/69 rated when mated with associated faceplate. Color: Grey (7042), Width: 164 mm, Height: 176 mm, Depth: 64 mm



Your advantages

- Housing design supports the installation of a range of PCB thicknesses for high application diversity
- Integrated pressure compensation membrane for fluctuating ambient pressures
- Optional accessories for wall and mast mounting
- Proven PCB connection technology
- Integrated tamper protection
- Effective protection of electronics against thermal and mechanical influences
- Suitable for outdoor/indoor applications

Commercial data

| | |
|--------------------------------------|---------------|
| Item number | 1050209 |
| Packing unit | 5 pc |
| Minimum order quantity | 5 pc |
| Sales key | AC04 |
| Product key | ACFDAA |
| GTIN | 4055626662787 |
| Weight per piece (including packing) | 261 g |
| Weight per piece (excluding packing) | 260.9 g |
| Customs tariff number | 84879090 |
| Country of origin | US |

1050209

<https://www.phoenixcontact.com/us/products/1050209>

Technical data

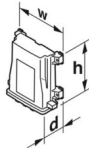
Notes

| | |
|---------|---|
| General | Refer to the data sheet for the range in the download area. |
|---------|---|

Product properties

| | |
|----------------|---|
| Product type | Housing |
| Housing series | ECS |
| Type | integrated pressure compensation membrane |
| Housing type | outdoor housings |
| Ventilation | integrated pressure compensation membrane |

Dimensions

| | |
|---------------------|---|
| Dimensional drawing |  |
| Width | 164 mm |
| Height | 176 mm |
| Depth | 64 mm |

PCB design

| | |
|---------------|---------------------|
| PCB thickness | 1.57 mm ... 2.36 mm |
|---------------|---------------------|

Material specifications

| | |
|--|--------------------|
| Color (Housing) | gray (RAL 7042) |
| Flammability rating according to UL 94 | V0 |
| Surface characteristics | untreated |
| Impact strength | IK08 |
| Housing material | PC (polycarbonate) |

Environmental and real-life conditions

Vibration test

| | |
|------------------------|---------------------------|
| Specification | IEC 60068-2-6:2007-12 |
| Frequency | 10 - 2000 - 10 Hz |
| Sweep speed | 1 octave/min |
| Acceleration | 15g (61.6 Hz ... 2000 Hz) |
| Test duration per axis | 2.5 h |
| Test directions | X-, Y- and Z-axis |

Glow-wire test

| | |
|---------------|------------------------|
| Specification | IEC 60695-2-11:2014-02 |
|---------------|------------------------|

ECS-B-122X169-S-UV-V GY - Electronics housing



1050209

<https://www.phoenixcontact.com/us/products/1050209>

| | |
|------------------|--------|
| Temperature | 850 °C |
| Time of exposure | 30 s |

Mechanical strength / tumbling barrel

| | |
|----------------|------------------------|
| Specification | IEC 60068-2-31:2008-05 |
| Height of fall | 50 cm |
| Frequency | 50 |

Shocks

| | |
|--------------------------------|-----------------------------------|
| Specification | IEC 60068-2-27:2008-02 |
| Pulse shape | Semi-sinusoidal |
| Acceleration | 50g |
| Shock duration | 11 ms |
| Number of shocks per direction | 3 |
| Test directions | X-, Y- and Z-axis (pos. and neg.) |

Salt spray test

| | |
|---------------|---------------------------|
| Specification | DIN EN 60068-2-11:2000-02 |
| Test duration | 96 h |

Test for substances that would hinder coating with paint or varnish

| | |
|---------------|--------------------|
| Specification | VDMA 24364:2018-05 |
| Result | Test passed |

Degree of protection (IP code)

| | |
|---------------------------------------|---|
| Specification | IEC 60529:1989-11 + AMD 1:1999-11 + AMD 2:2013-08 |
| Result, degree of protection, IP code | IP66/IP68 (2 m/24 h) |

Ambient conditions

| | |
|---|-------------------|
| Degree of protection | IP66/IP67 |
| Max. NEMA code to attain | 6 |
| Impact strength | IK08 |
| Ambient temperature (operation) | -40 °C ... 100 °C |
| Ambient temperature (storage/transport) | -40 °C ... 100 °C |

PCB data

| | |
|-----------------------|---------------------|
| Number of PCB holders | 1 |
| Thickness of the PCB | 1.57 mm ... 2.36 mm |

Mounting

| | |
|---------------|---|
| Mounting type | Wall or panel mount. Pole mount with accessory. |
|---------------|---|

ECS-B-122X169-S-UV-V GY - Electronics housing



1050209

<https://www.phoenixcontact.com/us/products/1050209>

Classifications

ECLASS

| | |
|-------------|----------|
| ECLASS-11.0 | 27182702 |
| ECLASS-13.0 | 27190601 |

ETIM

| | |
|----------|----------|
| ETIM 9.0 | EC001031 |
|----------|----------|

UNSPSC

| | |
|-------------|----------|
| UNSPSC 21.0 | 31261500 |
|-------------|----------|

ECS-B-122X169-S-UV-V GY - Electronics housing



1050209

<https://www.phoenixcontact.com/us/products/1050209>

Environmental product compliance

| | |
|------------|---|
| China RoHS | Environmentally friendly use period: unlimited = EFUP-e |
| | No hazardous substances above threshold values |

Phoenix Contact 2024 © - all rights reserved
<https://www.phoenixcontact.com>

Phoenix Contact USA
586 Fulling Mill Road
Middletown, PA 17057, United States
(+717) 944-1300
info@phoenixcon.com