

FWP 9+1 - Power plug



1029715

<https://www.phoenixcontact.com/us/products/1029715>

Please be informed that the data shown in this PDF document is generated from our online catalog. Please find the complete data in the user documentation. Our general terms of use for downloads are valid.



Power plug, nom. voltage: 400 V, nominal current: 24 A, number of positions: 10, Rated cross section: 6 mm², color: gray

Your advantages

- The automatically generated transformer short circuit and the shock-proof design ensure the highest degree of safety during measurement

- The integrated, robust switch contact is designed for the most stringent demands, and the use of high-quality materials ensures the transmission of signal currents, even after multiple actuations

Commercial data

Item number	1029715
Packing unit	5 pc
Minimum order quantity	5 pc
Product key	BE6111
Catalog page	Page 614 (C-1-2019)
GTIN	4055626530765
Weight per piece (including packing)	148.3 g
Weight per piece (excluding packing)	148.3 g
Country of origin	PL

FWP 9+1 - Power plug

1029715

<https://www.phoenixcontact.com/us/products/1029715>

Technical data

Product properties

Product type	Plug
Number of positions	10
Pitch	8.2 mm
Potentials	10

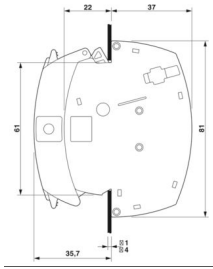
Electrical properties

Maximum power dissipation for nominal condition	1.31 W
---	--------

Connection data

Nominal cross section	6 mm ²
Nominal current	24 A
Maximum load current	30 A
Nominal voltage	400 V
Nominal cross section	6 mm ²

Dimensions

Dimensional drawing	
Pitch	8.2 mm

Material specifications

Color	gray
Flammability rating according to UL 94	V0
Insulating material	PA

Environmental and real-life conditions

Ambient conditions

Ambient temperature (storage/transport)	-25 °C ... 60 °C (for a short time, not exceeding 24 h, -60 °C to +70 °C)
Ambient temperature (assembly)	-5 °C ... 70 °C
Ambient temperature (actuation)	-5 °C ... 70 °C
Permissible humidity (storage/transport)	30 % ... 70 %

FWP 9+1 - Power plug



1029715

<https://www.phoenixcontact.com/us/products/1029715>

Classifications

ECLASS

ECLASS-11.0	27440313
ECLASS-12.0	27440313
ECLASS-13.0	27440313

ETIM

ETIM 9.0	EC002255
----------	----------

UNSPSC

UNSPSC 21.0	20122000
-------------	----------

Phoenix Contact 2024 © - all rights reserved
<https://www.phoenixcontact.com>

Phoenix Contact USA
586 Fulling Mill Road
Middletown, PA 17057, United States
(+717) 944-1300
info@phoenixcon.com