

FLX-D37M/SHORTING PLUG - Plug-in bridge



1029334

<https://www.phoenixcontact.com/us/products/1029334>

Please be informed that the data shown in this PDF document is generated from our online catalog. Please find the complete data in the user documentation. Our general terms of use for downloads are valid.

Shorting plug for use in the TDC3000 migration boards



Your advantages

- DSUB control side connection
- Used on J2 header when common negative terminals are desired

Commercial data

Item number	1029334
Packing unit	1 pc
Minimum order quantity	1 pc
Note	Made to order (non-returnable)
Sales key	C421
Product key	CK21A3
GTIN	4055626530901
Weight per piece (including packing)	42 g
Weight per piece (excluding packing)	40 g
Customs tariff number	85176200
Country of origin	US

FLX-D37M/SHORTING PLUG - Plug-in bridge

1029334

<https://www.phoenixcontact.com/us/products/1029334>

Technical data

Notes

General	For proper use, the specifications of the installation directive (see Downloads) must be observed. For applications or use with third-party products, the specifications, and the safety and warning instructions of the respective third-party manufacturer must also be met.
---------	--

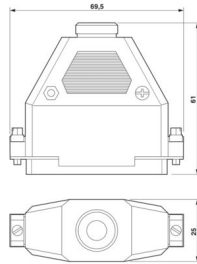
Product properties

Product type	Bridge
Insulation characteristics	
Overvoltage category	II
Pollution degree	2

Electrical properties

Nominal voltage U_N	30 V AC/DC
Nominal current I_N	5 A

Dimensions

Dimensional drawing	
Width	69.49 mm
Height	24.99 mm
Depth	61.02 mm

Environmental and real-life conditions

Ambient conditions

Ambient temperature (operation)	-40 °C ... 70 °C
Ambient temperature (storage/transport)	-40 °C ... 75 °C
Altitude	< 2000 m
Permissible humidity (operation)	< 90 %

FLX-D37M/SHORTING PLUG - Plug-in bridge



1029334

<https://www.phoenixcontact.com/us/products/1029334>

Classifications

ECLASS

ECLASS-11.0	27371392
ECLASS-13.0	27371392
ECLASS-12.0	27371392

ETIM

ETIM 9.0	EC002498
----------	----------

UNSPSC

UNSPSC 21.0	39121100
-------------	----------

FLX-D37M/SHORTING PLUG - Plug-in bridge



1029334

<https://www.phoenixcontact.com/us/products/1029334>

Environmental product compliance

REACH SVHC

Lead 7439-92-1

Phoenix Contact 2024 © - all rights reserved

<https://www.phoenixcontact.com>

Phoenix Contact USA
586 Fulling Mill Road
Middletown, PA 17057, United States
(+717) 944-1300
info@phoenixcon.com