

FLT-SEC-T1+T2-2IT-350/25-FM - Type 1+2 special combined lightning current and surge arrester



1044388

<https://www.phoenixcontact.com/us/products/1044388>

Please be informed that the data shown in this PDF document is generated from our online catalog. Please find the complete data in the user documentation. Our general terms of use for downloads are valid.



Plug-in lightning and surge protective device combination, in accordance with Type 1+2 / Class I+II, for 2-phase power supply networks in isolated operation (L1, L2, PE).

Commercial data

| | |
|--------------------------------------|--------------------------------|
| Item number | 1044388 |
| Packing unit | 1 pc |
| Minimum order quantity | 1 pc |
| Note | Made to order (non-returnable) |
| Product key | CL1241 |
| GTIN | 4055626620862 |
| Weight per piece (including packing) | 633.6 g |
| Weight per piece (excluding packing) | 633.6 g |
| Country of origin | DE |

FLT-SEC-T1+T2-2IT-350/25-FM - Type 1+2 special combined lightning current and surge arrester



1044388

<https://www.phoenixcontact.com/us/products/1044388>

Technical data

Notes

General

| | |
|------|--|
| Note | Only usable in IT Systems between L-PE, if the exposed-conductive-parts (bodies) of the equipment of the low-voltage installation is connected to the earthing arrangement of the transformer substation (interconnected earthing arrangement of the HV-transformer substation with the bodies of the LV-installation. $R_E = R_A$ accordance to IEC 60364-4-442 / VDE 0100-442 Fig. 44D / Example a). |
|------|--|

Product properties

| | |
|--------------------------------|---|
| IEC test classification | I + II T1 + T2 |
| EN type | T1 + T2 |
| IEC power supply system | IT |
| Type | DIN rail module, two-section, divisible |
| Product type | Arrester combination |
| Product family | SEC Family |
| Surge protection fault message | Optical, remote indicator contact |

Insulation characteristics

| | |
|----------------------|-----|
| Overvoltage category | III |
| Pollution degree | 2 |

Electrical properties

| | |
|-------------------------|---------------|
| Nominal frequency f_N | 50 Hz (60 Hz) |
|-------------------------|---------------|

Indicator/remote signaling

| | |
|--------------------|--|
| Connection name | Remote fault indicator contact |
| Switching function | Changeover contact |
| Operating voltage | 12 V AC ... 250 V AC 125 V DC (200 mA DC) |
| Operating current | 10 mA AC ... 1 A AC 1 A DC (30 V DC) |

Connection data

| | |
|----------------------------------|--|
| Connection method | Screw terminal blocks |
| Screw thread | M5 |
| Tightening torque | 4.5 Nm |
| Stripping length | 18 mm |
| Conductor cross section flexible | 2.5 mm ² ... 35 mm ² |
| Conductor cross section rigid | 2.5 mm ² ... 35 mm ² |

FLT-SEC-T1+T2-2IT-350/25-FM - Type 1+2 special combined lightning current and surge arrester



1044388

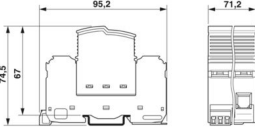
<https://www.phoenixcontact.com/us/products/1044388>

| | |
|----------------------------------|--|
| Conductor cross section AWG | 13 ... 2 |
| Connection method | Fork-type cable lug |
| Conductor cross section flexible | 1.5 mm ² ... 16 mm ² |

Remote fault indicator contact

| | |
|----------------------------------|--|
| Connection method | Plug-in/screw connection via COMBICON |
| Screw thread | M2 |
| Tightening torque | 0.25 Nm |
| Stripping length | 7 mm |
| Conductor cross section flexible | 0.14 mm ² ... 1.5 mm ² |
| Conductor cross section rigid | 0.14 mm ² ... 1.5 mm ² |
| Conductor cross section AWG | 28 ... 16 |

Dimensions

| | |
|---------------------|---|
| Dimensional drawing |  |
| Width | 71.2 mm |
| Height | 95.2 mm |
| Depth | 74.5 mm |
| Horizontal pitch | 4 Div. |

Material specifications

| | |
|--|-----------------------------|
| Color (Male connector) | light grey (RAL 7035) |
| Color (Base element) | gray (RAL 7042) |
| Flammability rating according to UL 94 | V-0 |
| CTI value of material | 600 |
| Insulating material | PA6.6-FR 20% GF PBT-FR |
| Material group | I |
| Housing material | PA 6.6-FR 20 % GF PBT-FR |

Mechanical properties

Mechanical data

| | |
|-----------------|----|
| Open side panel | No |
|-----------------|----|

Protective circuit

| | |
|---------------------|-------------|
| Mode of protection | L-PE L-L |
| Direction of action | 2L-PE |

FLT-SEC-T1+T2-2IT-350/25-FM - Type 1+2 special combined lightning current and surge arrester



1044388

<https://www.phoenixcontact.com/us/products/1044388>

| | |
|--|---------------------------------|
| Nominal voltage U_N | 240 V AC (IT) |
| Nominal frequency f_N | 50 Hz (60 Hz) |
| Maximum continuous operating voltage U_C (L-PE) | 350 V AC |
| Rated load current I_L | 125 A (< 55 °C) |
| Residual current I_{PE} | ≤ 0.5 mA |
| Nominal discharge current I_n (8/20) μ s | 25 kA |
| Impulse discharge current (10/350) μ s, charge | 12.5 As |
| Impulse discharge current (10/350) μ s, specific energy | 160 kJ/ Ω |
| Impulse discharge current (10/350) μ s, peak value I_{imp} | 25 kA |
| Follow current interrupt rating I_{fi} (L-PE) | 25 kA (264 V AC) |
| | 3 kA (350 V AC) |
| Short-circuit current rating I_{SCCR} | 25 kA (264 V AC) |
| | 3 kA (350 V AC) |
| Voltage protection level U_p (L-L) | ≤ 1.5 kV (L1-L2) |
| Voltage protection level U_p (L-PE) | ≤ 2.8 kV (L1-PE) |
| | ≤ 1.5 kV (L2-PE) |
| Residual voltage U_{res} (L-L) | ≤ 1.5 kV (at I_n / L1-L2) |
| | ≤ 1.2 kV (at 10 kA / L1-L2) |
| | ≤ 1 kV (at 5 kA / L1-L2) |
| | ≤ 0.9 kV (at 3 kA / L1-L2) |
| Residual voltage U_{res} (L-PE) | ≤ 2.8 kV (at I_n / L1-PE) |
| | ≤ 2.4 kV (at 10 kA / L1-PE) |
| | ≤ 2 kV (at 5 kA / L1-PE) |
| | ≤ 1.8 kV (at 3 kA / L1-PE) |
| | ≤ 1.5 kV (at I_n / L2-PE) |
| | ≤ 1.2 kV (at 10 kA / L2-PE) |
| | ≤ 1 kV (at 5 kA / L2-PE) |
| ≤ 0.9 kV (at 3 kA / L2-PE) | |
| TOV behavior at U_T (L-PE) | 415 V AC (5 s / withstand mode) |
| Response time t_A | ≤ 25 ns |
| Max. backup fuse with V-type through wiring | 125 A (gG) |
| Max. backup fuse with branch wiring | 315 A (gG) |

Environmental and real-life conditions

Ambient conditions

| | |
|---|--|
| Degree of protection | IP20 (only when all terminal points are used) |
| Ambient temperature (operation) | -40 °C ... 80 °C |
| Ambient temperature (storage/transport) | -40 °C ... 80 °C |
| Altitude | ≤ 2000 m (amsl) |
| Permissible humidity (operation) | 5 % ... 95 % |
| Shock (operation) | 25g (Half-sine / 11 ms / 3x \pm X, \pm Y, \pm Z) |
| Vibration (operation) | 5g (5 - 500 Hz/2.5 h/X, Y, Z) |

FLT-SEC-T1+T2-2IT-350/25-FM - Type 1+2 special combined lightning current and surge arrester



1044388

<https://www.phoenixcontact.com/us/products/1044388>

Standards and regulations

| | |
|--------------------------|--------------|
| Standards/specifications | IEC 61643-11 |
| Note | 2011 |

EN 61643-11

| | |
|--------------------------|-------------|
| Standards/specifications | EN 61643-11 |
| Note | 2012 |

Mounting

| | |
|---------------|-----------------|
| Mounting type | DIN rail: 35 mm |
|---------------|-----------------|

FLT-SEC-T1+T2-2IT-350/25-FM - Type 1+2 special combined lightning current and surge arrester



1044388

<https://www.phoenixcontact.com/us/products/1044388>

Classifications

ECLASS

| | |
|-------------|----------|
| ECLASS-11.0 | 27130808 |
| ECLASS-13.0 | 27171204 |

ETIM

| | |
|----------|----------|
| ETIM 9.0 | EC001457 |
|----------|----------|

UNSPSC

| | |
|-------------|----------|
| UNSPSC 21.0 | 39121600 |
|-------------|----------|

FLT-SEC-T1+T2-2IT-350/25-FM - Type 1+2 special combined lightning current and surge arrester



1044388

<https://www.phoenixcontact.com/us/products/1044388>

Environmental product compliance

| | |
|------------|---|
| China RoHS | Environmentally friendly use period: unlimited = EFUP-e |
| | No hazardous substances above threshold values |

Phoenix Contact 2024 © - all rights reserved
<https://www.phoenixcontact.com>

Phoenix Contact USA
586 Fulling Mill Road
Middletown, PA 17057, United States
(+717) 944-1300
info@phoenixcon.com