

HC-B24/10-ADP-SS - Adapter plate

1034213

<https://www.phoenixcontact.com/us/products/1034213>

Please be informed that the data shown in this PDF document is generated from our online catalog. Please find the complete data in the user documentation. Our general terms of use for downloads are valid.

Adapter plate, design: B24 to B10



Commercial data

Item number	1034213
Packing unit	1 pc
Minimum order quantity	1 pc
Sales key	BF66
Product key	BF7AZD
GTIN	4055626539690
Weight per piece (including packing)	121 g
Weight per piece (excluding packing)	120 g
Customs tariff number	39269097
Country of origin	DE

HC-B24/10-ADP-SS - Adapter plate

1034213

<https://www.phoenixcontact.com/us/products/1034213>

Technical data

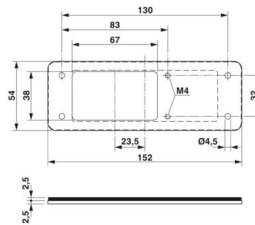
Notes

General	For wall cutouts of type B24
---------	------------------------------

Product properties

Type	B24
Product type	Adapter plate
Seal present	yes

Dimensions

Dimensional drawing	
Width	53 mm
Height	5 mm
Length	151 mm
Drill hole distance, horizontal	130 mm
Drill hole distance, vertical	32 mm
Hole diameter	5.5 mm

Material specifications

Material	Stainless steel 1.4301/AISI 304
Seal material	NBR/SBR

Environmental and real-life conditions

Ambient conditions

Degree of protection	IP54
	IP65
Ambient temperature (operation)	-40 °C ... 125 °C

Mounting

Assembly instructions	Torque of the mounting screws 1 ... 2 Nm
-----------------------	--

HC-B24/10-ADP-SS - Adapter plate



1034213

<https://www.phoenixcontact.com/us/products/1034213>

Classifications

ECLASS

ECLASS-11.0	27440201
ECLASS-12.0	27440201
ECLASS-13.0	27440201

ETIM

ETIM 9.0	EC002309
----------	----------

UNSPSC

UNSPSC 21.0	31261500
-------------	----------

HC-B24/10-ADP-SS - Adapter plate



1034213

<https://www.phoenixcontact.com/us/products/1034213>

Environmental product compliance

China RoHS	Environmentally Friendly Use Period = 50 years For information on hazardous substances, refer to the manufacturer's declaration available under "Downloads"
------------	--

Phoenix Contact 2024 © - all rights reserved
<https://www.phoenixcontact.com>

Phoenix Contact USA
586 Fulling Mill Road
Middletown, PA 17057, United States
(+717) 944-1300
info@phoenixcon.com