

# PTFIX-F - Flange

3274060

<https://www.phoenixcontact.com/us/products/3274060>

Please be informed that the data shown in this PDF document is generated from our online catalog. Please find the complete data in the user documentation. Our general terms of use for downloads are valid.



Flange, with screw-on fixing, depth: 21.7 mm, width: 8.6 mm, height: 28.6 mm, color: gray, mounting type: Screw mounting

## Your advantages

- Easy marking options

## Commercial data

Item number	3274060
Packing unit	20 pc
Minimum order quantity	20 pc
Sales key	BE09
Product key	BEAZ11
Catalog page	Page 438 (C-1-2019)
GTIN	4055626394152
Weight per piece (including packing)	2.709 g
Weight per piece (excluding packing)	1.72 g
Customs tariff number	85389099
Country of origin	PL

# PTFIX-F - Flange

3274060

<https://www.phoenixcontact.com/us/products/3274060>

## Technical data

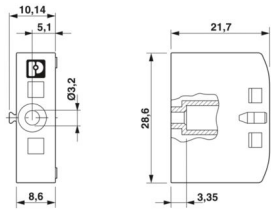
### Product properties

Product type	Mounting material
--------------	-------------------

### Connection data

Tightening torque	0.3 Nm
-------------------	--------

### Dimensions

Dimensional drawing	
Width	8.6 mm
Height	28.6 mm
Depth	21.7 mm
Hole diameter	5.8 mm

### Material specifications

Color	gray
Material	PA
Flammability rating according to UL 94	V0

### Environmental and real-life conditions

#### Ambient conditions

Ambient temperature (operation)	-60 °C ... 105 °C (max. short-term operating temperature RTI Elec.)
Ambient temperature (storage/transport)	-25 °C ... 60 °C (for a short time, not exceeding 24 h, -60 °C to +70 °C)
Ambient temperature (assembly)	-5 °C ... 70 °C
Ambient temperature (actuation)	-5 °C ... 70 °C
Permissible humidity (storage/transport)	30 % ... 70 %

### Mounting

Mounting type	Screw mounting
---------------	----------------

# PTFIX-F - Flange

3274060

<https://www.phoenixcontact.com/us/products/3274060>



## Classifications

### ECLASS

ECLASS-11.0	27141190
ECLASS-12.0	27141190
ECLASS-13.0	27250302

### ETIM

ETIM 9.0	EC002848
----------	----------

### UNSPSC

UNSPSC 21.0	39121400
-------------	----------

# PTFIX-F - Flange



3274060

<https://www.phoenixcontact.com/us/products/3274060>

## Environmental product compliance

China RoHS	Environmentally friendly use period: unlimited = EFUP-e No hazardous substances above threshold values
------------	---

Phoenix Contact 2024 © - all rights reserved  
<https://www.phoenixcontact.com>

Phoenix Contact USA  
586 Fulling Mill Road  
Middletown, PA 17057, United States  
(+717) 944-1300  
[info@phoenixcon.com](mailto:info@phoenixcon.com)