

IOA REL 120V DO/BFI/3.0A/EX - Relay Module



2910154

<https://www.phoenixcontact.com/us/products/2910154>

Please be informed that the data shown in this PDF document is generated from our online catalog. Please find the complete data in the user documentation. Our general terms of use for downloads are valid.



Relay module for VIP I/O-Marshalling base elements. For switching 120 V AC loads up to max. 3 A. Integrated fuse and fuse failure indication. N/O contact or N/C contact can be used.

Product description

Relay module for digital output signals for switching loads with max. 3 A nominal current and a maximum voltage of 120 V AC. The switch contact is protected by an integrated replaceable 3 A fuse. If the fuse fails, this is indicated by an LED. A plug-in bridge determines whether an N/O contact or an N/C contact is used. The module is installed on a corresponding VIP I/O-Marshalling base element by means of plug-in contact. Installation in zone 2, "ec" type of protection is permitted.

Your advantages

- Output blown fuse indication
- Active relay coil indication
- Two-stage progressive release allowing for voltage checks with field-powered devices
- Channel for marking accessories
- Replaceable TE5-style fusing
- 120 V internal marshalling option for connected field device
- Integrated keying reduces possible user error during replacement
- 1 PDT relay with user selectable NO or NC contact

Commercial data

| | |
|--------------------------------------|--------------------------------|
| Item number | 2910154 |
| Packing unit | 1 pc |
| Minimum order quantity | 1 pc |
| Note | Made to order (non-returnable) |
| Sales key | C480 |
| Product key | CK8222 |
| Catalog page | Page 556 (C-5-2017) |
| GTIN | 4055626447285 |
| Weight per piece (including packing) | 68.2 g |
| Weight per piece (excluding packing) | 71.2 g |
| Customs tariff number | 85364900 |
| Country of origin | US |

IOA REL 120V DO/BFI/3.0A/EX - Relay Module



2910154

<https://www.phoenixcontact.com/us/products/2910154>

Technical data

Product properties

| | |
|-------------------------|---------------------------|
| Product type | Relay Module |
| Product family | VIP I/O-Marshalling |
| Application | Output function |
| Operating mode | 100% operating factor |
| Mechanical service life | 2x 10 ⁷ cycles |

Insulation characteristics

| | |
|----------------------|----|
| Overvoltage category | II |
| Pollution degree | 2 |

Input data

Coil side

| | |
|---|--|
| Nominal input voltage U_N | 24 V DC |
| Input voltage range in reference to U_N | 0.9 ... 1.1 |
| Typical input current at U_N | 13.5 mA |
| Typical response time | 5 ms |
| Typical release time | 8 ms |
| Protective circuit | Reverse polarity protection; Polarity protection diode Freewheeling diode; Freewheeling diode |
| Operating voltage display | Yellow LED |

Output data

Switching

| | |
|---------------------------------------|--|
| Contact switching type | 1 changeover contact |
| Type of switch contact | Single contact |
| Contact connection type | Power contact |
| Contact material | AgSnO |
| Maximum switching voltage | 120 V AC |
| Limiting continuous current | 3 A (fuse limited) |
| Maximum inrush current | on request |
| Min. switching current | 10 mA (at 12 V) |
| Interrupting rating (ohmic load) max. | 23 W (at 110 V DC) 360 VA (at 120 V AC) |

Connection data

Control circuits

| | |
|-------------------|-----------|
| Connection method | Pin strip |
|-------------------|-----------|

Ex data

IOA REL 120V DO/BFI/3.0A/EX - Relay Module



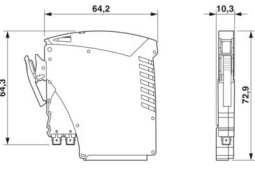
2910154

<https://www.phoenixcontact.com/us/products/2910154>

Safety data

| | |
|---------------------|---------|
| Input voltage U_i | 24 V DC |
| Input current I_i | 13.5 mA |

Dimensions

| | |
|---------------------|--|
| Dimensional drawing |  |
| Width | 10.3 mm |
| Height | 64.2 mm |
| Depth | 72.9 mm |

Material specifications

| | |
|--|-----------------|
| Color | gray (RAL 7042) |
| Flammability rating according to UL 94 | V0 |

Environmental and real-life conditions

Ambient conditions

| | |
|---|-------------------------------|
| Degree of protection | IP20 |
| Ambient temperature (operation) | -40 °C ... 70 °C |
| Ambient temperature (storage/transport) | -40 °C ... 70 °C |
| Altitude | ≤ 2000 m |
| Permissible humidity (operation) | 0 % ... 95 % (non-condensing) |

Approvals

ATEX

| | |
|----------------|----------------------------|
| Identification | ⊕ II 3G Ex ec nC IIC T4 Gc |
| Certificate | Sira 17ATEX4293X |

IECEX

| | |
|----------------|--------------------|
| Identification | Ex ec nC IIC T4 Gc |
| Certificate | IECEX SIR 17.0078X |

UKEX

| | |
|----------------|----------------------------|
| Identification | ⊕ II 3G Ex ec nC IIC T4 Gc |
| Certificate | PxCIF23UKEX2910153X |

UL, USA/Canada

| | |
|----------------|---------------------------------------|
| Identification | Class I, Div. 2, Groups A, B, C, D T4 |
| | Class I, Zone 2, Group IIC T4 |

CSA, USA/Canada

IOA REL 120V DO/BFI/3.0A/EX - Relay Module



2910154

<https://www.phoenixcontact.com/us/products/2910154>

| | |
|----------------|---------------------------------------|
| Identification | Class I, Div. 2, Groups A, B, C, D T4 |
| | Class I, Zone 2, AEx ec nC IIC T4 Gc |
| | Ex ec nC IIC T4 Gc |

Standards and regulations

| | |
|-----------------------|--------------|
| Standards/regulations | IEC 60664 |
| | DIN EN 50178 |

Mounting

| | |
|-----------------------|---------------------------|
| Mounting type | Plug-in mounting |
| Assembly instructions | Plugs into VIP/...BASE... |
| Mounting position | any |

IOA REL 120V DO/BFI/3.0A/EX - Relay Module



2910154

<https://www.phoenixcontact.com/us/products/2910154>

Classifications

ECLASS

| | |
|-------------|----------|
| ECLASS-11.0 | 27371601 |
| ECLASS-12.0 | 27371601 |
| ECLASS-13.0 | 27371601 |

ETIM

| | |
|----------|----------|
| ETIM 9.0 | EC001437 |
|----------|----------|

UNSPSC

| | |
|-------------|----------|
| UNSPSC 21.0 | 39122300 |
|-------------|----------|

IOA REL 120V DO/BFI/3.0A/EX - Relay Module



2910154

<https://www.phoenixcontact.com/us/products/2910154>

Environmental product compliance

| | |
|------------|--|
| REACH SVHC | Lead 7439-92-1 |
| China RoHS | Environmentally Friendly Use Period = 50 years |
| | For information on hazardous substances, refer to the manufacturer's declaration available under "Downloads" |

Phoenix Contact 2024 © - all rights reserved

<https://www.phoenixcontact.com>

Phoenix Contact USA
586 Fulling Mill Road
Middletown, PA 17057, United States
(+717) 944-1300
info@phoenixcon.com