

MACX MCR-TS-I-OLP - Temperature measuring transducer



2908662

<https://www.phoenixcontact.com/us/products/2908662>

Please be informed that the data shown in this PDF document is generated from our online catalog. Please find the complete data in the user documentation. Our general terms of use for downloads are valid.



Output loop-powered temperature transducer for transmitting up to 2 sensor signals from RTD and TC sensors, as well as from resistance and voltage sensors via 4 mA ... 20 mA. HART, Signal conditioners with SIL functional safety, Standard configuration, Safety Integrity Level (SIL, IEC 61508): 2, Systematic Capability: 3, Screw connection

Commercial data

Item number	2908662
Packing unit	1 pc
Minimum order quantity	1 pc
Sales key	C401
Product key	CK1322
Catalog page	Page 190 (C-5-2019)
GTIN	4055626355450
Weight per piece (including packing)	201.7 g
Weight per piece (excluding packing)	171.8 g
Customs tariff number	85437090
Country of origin	DE

MACX MCR-TS-I-OLP - Temperature measuring transducer



2908662

<https://www.phoenixcontact.com/us/products/2908662>

Technical data

Product properties

Product type	Temperature transmitter
Product family	MACX Analog
No. of channels	2
Type	Signal conditioners with SIL functional safety
Configuration	Software
	HART

Insulation characteristics

Overvoltage category	II
Pollution degree	2

Electrical properties

Step response (0–99%)	0.8 s (TC)
-----------------------	------------

Electrical isolation Input/output

Test voltage	2 kV AC (50 Hz, 60 s)
--------------	-----------------------

Supply

Supply voltage range	loop-powered, no external supply necessary
	12 V DC ... 42 V DC (Standard)
	12 V DC ... 32 V DC (SIL active)

Input data

Signal

Input signal	Temperature
--------------	-------------

Measurement

Number of inputs	2
Input voltage range	-20 mV ... 100 mV (Minimum measuring span: 5 mV)
Sensor types (RTD) that can be used	Pt, Ni, Cu sensors: 2, 3, 4-wire
Sensor types that can be used (TC)	A, B, C, D, E, J, K, L, N, R, S, T, U
Temperature measuring range	-250 °C ... 2500 °C (Range depending on the sensor type)
	-200 °C ... 850 °C (Pt 100)
Temperature measuring range	> 10 K (RTD)
	> 50 K (TC)
Linear resistance measuring range	10 Ω ... 2000 Ω (Minimum measuring span: 10 Ω)

Output data

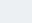
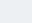
Signal: Current

Configurable/programmable	no
Current output signal	4 mA ... 20 mA

MACX MCR-TS-I-OLP - Temperature measuring transducer

2908662

<https://www.phoenixcontact.com/us/products/2908662>

	20 mA ... 4 mA
Max. current output signal	23 mA
Load	(U _L - 11 V) / 0,023 A
HART coding	FSK ± 0.5 mA
HART version	7
Transmission speed	1200 Baud
Mains frequency filter	50/60 Hz
Communication resistance	≥ 250 Ω
Switch-on delay	≈  s (HART)
	≈  s (Measured value)

Connection data

Connection method	Screw connection
Stripping length	7 mm
Screw thread	M3
Conductor cross section rigid	0.2 mm ² ... 2.5 mm ²
Conductor cross section flexible	0.2 mm ² ... 2.5 mm ²
Conductor cross section AWG	24 ... 14
Tightening torque	0.5 Nm ... 0.6 Nm

Test socket

Max. diameter	2 mm
---------------	------

Ex data

Ex installation (EPL)	Gc
	Div. 2

Interfaces

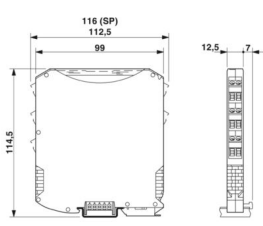
Data communication (bypass)

Protocols supported	HART
---------------------	------

Signaling

Status display	LED red
----------------	---------

Dimensions

Dimensional drawing	
Width	12.5 mm
Height	112.5 mm
Depth	113.7 mm

MACX MCR-TS-I-OLP - Temperature measuring transducer



2908662

<https://www.phoenixcontact.com/us/products/2908662>

Depth NS 35/7,5	114.5 mm (Snapped onto DIN rail NS 35/7,5 in accordance with EN 60715)
-----------------	--

Material specifications

Color	gray (RAL 7042)
-------	-----------------

Environmental and real-life conditions

Ambient conditions

Degree of protection	IP20
Ambient temperature (operation)	-40 °C ... 85 °C -40 °C ... 70 °C (SIL active)
Ambient temperature (storage/transport)	-40 °C ... 100 °C
Altitude	≤ 4000 m (Above sea level)
Climatic class	B2
Permissible humidity (operation)	5 % ... 95 % (non-condensing)

Approvals

CE

Certificate	CE-compliant
-------------	--------------

ATEX

Identification	Ⓜ II 3G Ex nA IIC T6...T4 Gc
----------------	------------------------------

UL, USA/Canada

Identification	UL 61010 Recognized
----------------	---------------------

FM

Identification	NI, Class I, Div. 2, Groups A, B, C, D
----------------	--

CSA

Identification	NI / Class I / Div. 2 / ABCD T6/T5/T4
----------------	---------------------------------------

Shipbuilding approval

Certificate	DNV GL TAA00002GX
-------------	-------------------

Safety Integrity Level (SIL, IEC 61508)

Identification	2
----------------	---

Systematic Capability

Identification	3
----------------	---

DNV GL data

Temperature	D
Humidity	B
Vibration	A
EMC	B
Enclosure	A

MACX MCR-TS-I-OLP - Temperature measuring transducer



2908662

<https://www.phoenixcontact.com/us/products/2908662>

Mounting

Mounting type

DIN rail mounting

MACX MCR-TS-I-OLP - Temperature measuring transducer



2908662

<https://www.phoenixcontact.com/us/products/2908662>

Classifications

ECLASS

ECLASS-11.0	27210129
ECLASS-12.0	27210129
ECLASS-13.0	27210129

ETIM

ETIM 9.0	EC002919
----------	----------

UNSPSC

UNSPSC 21.0	41112100
-------------	----------

MACX MCR-TS-I-OLP - Temperature measuring transducer



2908662

<https://www.phoenixcontact.com/us/products/2908662>

Environmental product compliance

China RoHS	Environmentally friendly use period: unlimited = EFUP-e
	No hazardous substances above threshold values

Phoenix Contact 2024 © - all rights reserved
<https://www.phoenixcontact.com>

Phoenix Contact USA
586 Fulling Mill Road
Middletown, PA 17057, United States
(+717) 944-1300
info@phoenixcon.com