

TTC-6-GDT-D-60AC-PT-I - Surge protection device



2906863

<https://www.phoenixcontact.com/us/products/2906863>

Please be informed that the data shown in this PDF document is generated from our online catalog. Please find the complete data in the user documentation. Our general terms of use for downloads are valid.

Coarse surge protection with integrated status indicator for a 2-wire floating signal circuit.



Your advantages

- Space-saving and cost-saving with a narrow overall width of just 6 mm
- Continuous monitoring of protective devices, plus mechanical status indicator with optional remote signaling
- Finding the right product for all possible requirements in MCR applications is easy, thanks to the complete range of products with customized features

Commercial data

Item number	2906863
Packing unit	1 pc
Minimum order quantity	1 pc
Sales key	CL23
Product key	CL2265
Catalog page	Page 151 (C-4-2019)
GTIN	4055626137186
Weight per piece (including packing)	25.5 g
Weight per piece (excluding packing)	20.5 g
Customs tariff number	85363010
Country of origin	DE

TTC-6-GDT-D-60AC-PT-I - Surge protection device



2906863

<https://www.phoenixcontact.com/us/products/2906863>

Technical data

Product properties

IEC test classification	C1
	C2
	C3
	D1
Type	DIN rail module, one-piece
Product type	Surge protection for MCR technology
Product family	TERMITRAB complete
Surge protection fault message	optical
Wire pairs per module	1

Insulation characteristics

Overvoltage category	III
Pollution degree	2

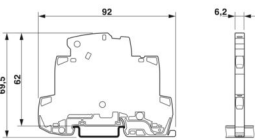
Electrical properties

Nominal voltage U_N	60 V AC
-----------------------	---------

Connection data

Connection method	Push-in connection
Conductor cross section flexible	0.2 mm ² ... 2.5 mm ²
Conductor cross section rigid	0.2 mm ² ... 4 mm ²
Conductor cross section AWG	24 ... 12

Dimensions

Dimensional drawing	
Width	6.2 mm
Height	92 mm
Depth	69.5 mm (incl. DIN rail 7.5 mm)

Material specifications

Color	gray (RAL 7042)
Flammability rating according to UL 94	V-0
Insulating material	PBT
Housing material	PBT

Mechanical properties

Mechanical data

TTC-6-GDT-D-60AC-PT-I - Surge protection device



2906863

<https://www.phoenixcontact.com/us/products/2906863>

Open side panel	Yes
-----------------	-----

Protective circuit

Direction of action	Line-Line
Maximum continuous voltage U_C	75 V AC
Rated current	2 A (60 °C)
Operating effective current I_C at U_C	$\leq 1 \mu\text{A}$
Nominal discharge current I_n (8/20) μs (line-line)	5 kA
Pulse discharge current I_{imp} (10/350) μs (line-line)	0.5 kA
Voltage protection level U_p (line-line)	$\leq 800 \text{ V}$ (C1 - 2 kV)
	$\leq 1 \text{ kV}$ (C2 - 10 kV)
	$\leq 800 \text{ V}$ (C3 - 25 A)
	$\leq 900 \text{ V}$ (C3 - 100 A)
Response time t_A (line-line)	$\leq 100 \text{ ns}$
Input attenuation aE, sym.	typ. 0.3 dB ($\leq 8 \text{ MHz} / 150 \Omega$)
	typ. 0.3 dB ($\leq 30 \text{ MHz} / 50 \Omega$)
Cut-off frequency f_g (3 dB), sym. in 50 Ω system	typ. 130 MHz
Cut-off frequency f_g (3 dB), sym. in 150 Ω system	typ. 25 MHz
Capacity (Core-Core)	5 pF
Resistance per path	$\leq 100 \text{ m}\Omega$
Surge protection fault message	optical
Impulse durability (line-line)	C1 - 1 kA
	C2 - 5 kA
	C3 - 100 A
	D1 - 500 A
Pulse reset time (line-line)	$\leq 1 \text{ ms}$

Environmental and real-life conditions

Ambient conditions

Degree of protection	IP20 (with end cover)
Ambient temperature (operation)	-40 °C ... 85 °C
Ambient temperature (storage/transport)	-40 °C ... 85 °C
Altitude	$\leq 4000 \text{ m}$ (amsl)
Permissible humidity (operation)	5 % ... 95 %

Standards and regulations

Standards/specifications	IEC 61643-21
Note	2000 + corrigendum 2001 + A1:2008, modified + A2:2012

EN 61643-21

Standards/specifications	EN 61643-21
Note	2001 + A1:2009 + A2:2013

Mounting

TTC-6-GDT-D-60AC-PT-I - Surge protection device



2906863

<https://www.phoenixcontact.com/us/products/2906863>

Mounting type

DIN rail: 35 mm

TTC-6-GDT-D-60AC-PT-I - Surge protection device



2906863

<https://www.phoenixcontact.com/us/products/2906863>

Classifications

ECLASS

ECLASS-11.0	27130807
ECLASS-13.0	27171501

ETIM

ETIM 9.0	EC001625
----------	----------

UNSPSC

UNSPSC 21.0	39121600
-------------	----------

TTC-6-GDT-D-60AC-PT-I - Surge protection device



2906863

<https://www.phoenixcontact.com/us/products/2906863>

Environmental product compliance

China RoHS	Environmentally friendly use period: unlimited = EFUP-e
	No hazardous substances above threshold values

Phoenix Contact 2024 © - all rights reserved
<https://www.phoenixcontact.com>

Phoenix Contact USA
586 Fulling Mill Road
Middletown, PA 17057, United States
(+717) 944-1300
info@phoenixcon.com