

# TTC-6-MOV-C-120AC-PT-I - Surge protection device



2906858

<https://www.phoenixcontact.com/us/products/2906858>

Please be informed that the data shown in this PDF document is generated from our online catalog. Please find the complete data in the user documentation. Our general terms of use for downloads are valid.



Medium surge protection with integrated status indicator for a signal wire with grounded reference potential.

## Your advantages

- Space-saving and cost-saving with a narrow overall width of just 6 mm
- Continuous monitoring of protective devices, plus mechanical status indicator with optional remote signaling
- Finding the right product for all possible requirements in MCR applications is easy, thanks to the complete range of products with customized features

## Commercial data

Item number	2906858
Packing unit	1 pc
Minimum order quantity	1 pc
Sales key	CL23
Product key	CL2265
Catalog page	Page 150 (C-4-2019)
GTIN	4055626137131
Weight per piece (including packing)	29.5 g
Weight per piece (excluding packing)	29 g
Customs tariff number	85363010
Country of origin	DE

# TTC-6-MOV-C-120AC-PT-I - Surge protection device



2906858

<https://www.phoenixcontact.com/us/products/2906858>

## Technical data

### Product properties

IEC test classification	C1
	C2
	C3
Type	DIN rail module, one-piece
Product type	Surge protection for MCR technology
Product family	TERMITRAB complete
Surge protection fault message	optical

### Insulation characteristics

Overvoltage category	III
Pollution degree	2

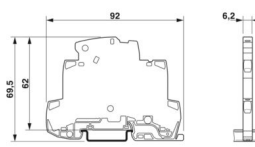
### Electrical properties

Nominal voltage $U_N$	120 V AC
-----------------------	----------

### Connection data

Connection method	Push-in connection
Conductor cross section flexible	0.2 mm <sup>2</sup> ... 2.5 mm <sup>2</sup>
Conductor cross section rigid	0.2 mm <sup>2</sup> ... 4 mm <sup>2</sup>
Conductor cross section AWG	24 ... 12

### Dimensions

Dimensional drawing	
Width	6.2 mm
Height	92 mm
Depth	69.5 mm (incl. DIN rail 7.5 mm)

### Material specifications

Color	gray (RAL 7042)
Flammability rating according to UL 94	V-0
Insulating material	PBT
Housing material	PBT

### Mechanical properties

#### Mechanical data

Open side panel	Yes
-----------------	-----

# TTC-6-MOV-C-120AC-PT-I - Surge protection device



2906858

<https://www.phoenixcontact.com/us/products/2906858>

## Protective circuit

Direction of action	Line-Earth Ground
Maximum continuous voltage $U_C$	150 V DC
	150 V AC
Rated current	10 A (60 °C)
Operating effective current $I_C$ at $U_C$	$\leq 100 \mu\text{A}$
Residual current $I_{PE}$	$\leq 100 \mu\text{A}$
Nominal discharge current $I_n$ (8/20) $\mu\text{s}$ (line-ground)	2.5 kA
Voltage protection level $U_p$ (line-earth)	$\leq 200 \text{ V}$ (C1 - 800 A)
	$\leq 500 \text{ V}$ (C2 - 5 kV)
	$\leq 380 \text{ V}$ (C3 - 25 A)
	$\leq 380 \text{ V}$ (C3 - 35 A)
Response time $t_A$ (line-earth)	$\leq 25 \text{ ns}$
Input attenuation aE, asym.	typ. 0.3 dB ( $\leq 300 \text{ kHz} / 150 \Omega$ )
Cut-off frequency $f_g$ (3 dB), asym. (PE) in 150 $\Omega$ system	typ. 1 MHz
Capacity (Core-Earth)	5 nF
Resistance per path	$\leq 100 \text{ m}\Omega$
Surge protection fault message	optical
Impulse durability (line-earth)	C1 - 800 A
	C2 - 2.5 kA
	C3 - 35 A

## Environmental and real-life conditions

### Ambient conditions

Degree of protection	IP20 (with end cover)
Ambient temperature (operation)	-40 °C ... 85 °C
Ambient temperature (storage/transport)	-40 °C ... 85 °C
Altitude	$\leq 4000 \text{ m}$ (amsl)
Permissible humidity (operation)	5 % ... 95 %

## Standards and regulations

Standards/specifications	IEC 61643-21
Note	2000 + corrigendum 2001 + A1:2008, modified + A2:2012

### EN 61643-21

Standards/specifications	EN 61643-21
Note	2001 + A1:2009 + A2:2013

## Mounting

Mounting type	DIN rail: 35 mm
---------------	-----------------

# TTC-6-MOV-C-120AC-PT-I - Surge protection device



2906858

<https://www.phoenixcontact.com/us/products/2906858>

## Classifications

### ECLASS

ECLASS-11.0	27130807
ECLASS-13.0	27171501

### ETIM

ETIM 9.0	EC001625
----------	----------

### UNSPSC

UNSPSC 21.0	39121600
-------------	----------

# TTC-6-MOV-C-120AC-PT-I - Surge protection device



2906858

<https://www.phoenixcontact.com/us/products/2906858>

## Environmental product compliance

China RoHS	Environmentally friendly use period: unlimited = EFUP-e
	No hazardous substances above threshold values

Phoenix Contact 2024 © - all rights reserved  
<https://www.phoenixcontact.com>

Phoenix Contact USA  
586 Fulling Mill Road  
Middletown, PA 17057, United States  
(+717) 944-1300  
[info@phoenixcon.com](mailto:info@phoenixcon.com)