

# FLT 35 CTRL-4.0 - Type 1+2 combined lightning current and surge arrester



2801635

<https://www.phoenixcontact.com/us/products/2801635>

Please be informed that the data shown in this PDF document is generated from our online catalog. Please find the complete data in the user documentation. Our general terms of use for downloads are valid.



Type 1/Class I/B arrester (lightning current arrester) with encapsulated arc chopping spark gap and ignition electronics, single-channel. Voltage protection level: 4 kV. Housing width: 17.5 mm (1 HP)

## Commercial data

Item number	2801635
Packing unit	1 pc
Minimum order quantity	1 pc
Product key	CL1122
GTIN	4046356907651
Weight per piece (including packing)	187.7 g
Weight per piece (excluding packing)	165.19 g
Country of origin	IN

# FLT 35 CTRL-4.0 - Type 1+2 combined lightning current and surge arrester

2801635

<https://www.phoenixcontact.com/us/products/2801635>

## Technical data

### Notes

#### General

Note	100 % lightning impulse sparkover voltage (1.2/50) $\mu\text{s} \leq 1.5 \text{ kV}$
------	--

### Product properties

IEC test classification	I
	T1
EN type	T1
IEC power supply system	TT
	TN-S
Type	DIN rail module, one-piece
Product type	Combination type
Number of positions	1
Surge protection fault message	none

#### Insulation characteristics

Overvoltage category	III
Pollution degree	2

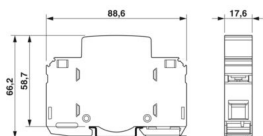
### Electrical properties

Nominal frequency $f_N$	50 Hz (60 Hz)
-------------------------	---------------

### Connection data

Connection method	Screw terminal blocks
Screw thread	M5
Tightening torque	4.5 Nm
Stripping length	14.5 mm
Conductor cross section flexible	2.5 mm <sup>2</sup> ... 25 mm <sup>2</sup>
Conductor cross section rigid	2.5 mm <sup>2</sup> ... 35 mm <sup>2</sup>
Conductor cross section AWG	6 ... 2

### Dimensions

Dimensional drawing	
Width	17.6 mm
Height	90 mm
Depth	65.5 mm

# FLT 35 CTRL-4.0 - Type 1+2 combined lightning current and surge arrester



2801635

<https://www.phoenixcontact.com/us/products/2801635>

Horizontal pitch	1 Div.
------------------	--------

## Material specifications

Color	black (RAL 9005)
Flammability rating according to UL 94	V-0
CTI value of material	600
Insulating material	PA 6.6
Material group	I
Housing material	PA 6.6

## Mechanical properties

### Mechanical data

Open side panel	No
-----------------	----

## Protective circuit

Mode of protection	L-PEN
Direction of action	1L-N/PE
Nominal voltage $U_N$	230/400 V AC (TN) 230/400 V AC (TT)
Nominal frequency $f_N$	50 Hz (60 Hz)
Maximum continuous operating voltage $U_C$ (L-PEN)	385 V AC
Rated load current $I_L$	80 A
Residual current $I_{PE}$	$\leq 0.5$ mA
Standby power consumption $P_C$	$\leq 200.00$ mVA
Nominal discharge current $I_n$ (8/20) $\mu$ s (L-PEN)	35 kA
Impulse discharge current (10/350) $\mu$ s (L-PEN), charge	17.5 As
Impulse discharge current (10/350) $\mu$ s (L-PEN), specific energy	306 J/ $\Omega$
Impulse discharge current (10/350) $\mu$ s (L-PEN), peak current value $I_{imp}$	35 kA
Follow current quenching capacity $I_{fi}$ (L-PEN)	3 kA (260 V AC) 1.5 kA (385 V AC)
Short-circuit current rating $I_{SCCR}$	3 kA (260 V AC) 1.5 kA (385 V AC)
Voltage protection level $U_p$ (L-PEN)	$\leq 4$ kV
TOV behavior at $U_T$ (L-PEN)	440 V AC (5 s / withstand mode) 440 V AC (120 min / withstand mode)
Response time $t_A$ (L-PEN)	$\leq 100$ ns
Max. backup fuse with V-type through wiring	80 A AC (gG)
Max. backup fuse with branch wiring	400 A AC (gG)

## Environmental and real-life conditions

### Ambient conditions

# FLT 35 CTRL-4.0 - Type 1+2 combined lightning current and surge arrester



2801635

<https://www.phoenixcontact.com/us/products/2801635>

Degree of protection	IP20 (only when all terminal points are used)
Ambient temperature (operation)	-40 °C ... 85 °C
Ambient temperature (storage/transport)	-40 °C ... 85 °C
Altitude	≤ 2000 m (amsl)
Permissible humidity (operation)	5 % ... 95 %

## Standards and regulations

Standards/specifications	IEC 61643-11
Note	2011
Standards/specifications	EN 61643-11
Note	2012

## Mounting

Mounting type	DIN rail: 35 mm
---------------	-----------------

# FLT 35 CTRL-4.0 - Type 1+2 combined lightning current and surge arrester



2801635

<https://www.phoenixcontact.com/us/products/2801635>

## Classifications

### ECLASS

ECLASS-11.0	27130802
ECLASS-13.0	27171201

### ETIM

ETIM 9.0	EC000381
----------	----------

### UNSPSC

UNSPSC 21.0	39121600
-------------	----------

# FLT 35 CTRL-4.0 - Type 1+2 combined lightning current and surge arrester



2801635

<https://www.phoenixcontact.com/us/products/2801635>

## Environmental product compliance

China RoHS	Environmentally friendly use period: unlimited = EFUP-e
	No hazardous substances above threshold values

Phoenix Contact 2024 © - all rights reserved  
<https://www.phoenixcontact.com>

Phoenix Contact USA  
586 Fulling Mill Road  
Middletown, PA 17057, United States  
(+717) 944-1300  
[info@phoenixcon.com](mailto:info@phoenixcon.com)