

GW PL HART4-R-BUS - Protocol converter



2702879

<https://www.phoenixcontact.com/us/products/2702879>

Please be informed that the data shown in this PDF document is generated from our online catalog. Please find the complete data in the user documentation. Our general terms of use for downloads are valid.



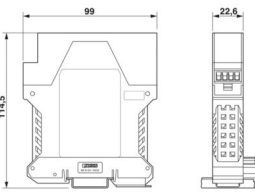
Four-channel HART[®] expansion module, with screw connection, with 250 Ω internal input resistors

Commercial data

| | |
|--------------------------------------|---------------|
| Item number | 2702879 |
| Packing unit | 1 pc |
| Minimum order quantity | 1 pc |
| Sales key | DN11 |
| Product key | DNC322 |
| GTIN | 4055626384788 |
| Weight per piece (including packing) | 208.1 g |
| Weight per piece (excluding packing) | 208.1 g |
| Customs tariff number | 85176200 |
| Country of origin | US |

Technical data

Dimensions

| | |
|---------------------|--|
| Dimensional drawing |  |
| Width | 22.5 mm |
| Height | 99 mm |
| Depth | 114.5 mm |

Material specifications

| | |
|-------|------|
| Color | gray |
|-------|------|

Interfaces

Data: HART FSK

| | |
|--------------------|------------------|
| Transmission speed | 1200 bps |
| Connection method | Screw connection |
| No. of channels | 4 |

Product properties

| | |
|--------------|--|
| Product type | I/O component |
| MTBF | 327 Years (Siemens model SN29500, temperature 40°C, env. factor 1.5 and stress factor 50%) |

Electrical properties

| | |
|--|----------|
| Test voltage data interface/power supply | 500 V AC |
| Test voltage data interfaces | 500 V AC |

Supply

| | |
|-----------------------------|---|
| Supply voltage range | 19.2 V DC ... 30 V DC (supplied from the bus) |
| Typical current consumption | 44 mA (at 24 V DC) |

Environmental and real-life conditions

Ambient conditions

| | |
|---|---------------------------------------|
| Degree of protection | IP20 |
| Ambient temperature (operation) | -40 °C ... 70 °C -40 °F ... 158 °F |
| Ambient temperature (storage/transport) | -40 °C ... 85 °C |

Approvals

GW PL HART4-R-BUS - Protocol converter



2702879

<https://www.phoenixcontact.com/us/products/2702879>

Conformity/Approvals

| | |
|------------------|----------------------------------|
| Conformance | CE-compliant |
| Noxious gas test | ISA-S71.04-1985 G3 Harsh Group A |

Mounting

| | |
|-----------------------|--|
| Mounting type | DIN rail mounting |
| Assembly instructions | on standard DIN rail NS 35 in accordance with EN 60715 |
| Mounting position | any |

GW PL HART4-R-BUS - Protocol converter



2702879

<https://www.phoenixcontact.com/us/products/2702879>

Classifications

ECLASS

| | |
|-------------|----------|
| ECLASS-12.0 | 27242208 |
| ECLASS-13.0 | 27242208 |
| ECLASS-11.0 | 27242208 |

ETIM

| | |
|----------|----------|
| ETIM 9.0 | EC001423 |
|----------|----------|

UNSPSC

| | |
|-------------|----------|
| UNSPSC 21.0 | 32151700 |
|-------------|----------|

GW PL HART4-R-BUS - Protocol converter



2702879

<https://www.phoenixcontact.com/us/products/2702879>

Environmental product compliance

| | |
|------------|--|
| China RoHS | Environmentally Friendly Use Period = 50 years For information on hazardous substances, refer to the manufacturer's declaration available under "Downloads" |
|------------|--|

Phoenix Contact 2024 © - all rights reserved
<https://www.phoenixcontact.com>

Phoenix Contact USA
586 Fulling Mill Road
Middletown, PA 17057, United States
(+717) 944-1300
info@phoenixcon.com