

Junction box - FB1-S1-6SP-T-0-10-00-0-0 - 2316420

Please be informed that the data shown in this PDF Document is generated from our Online Catalog. Please find the complete data in the user's documentation. Our General Terms of Use for Downloads are valid (<http://phoenixcontact.com/download>)



Stainless steel field junction box with ten ports for use in hazardous locations. Includes six-spur block device coupler (FB-6SP) for Foundation Fieldbus or PROFIBUS PA, three terminal blocks for trunk cable connection (+, -, S).

Product Description


FF/PA - Six-spur block junction box

Your advantages

- ✓ Connect up to six Foundation Fieldbus or PROFIBUS PA field devices
- ✓ Terminator preinstalled
- ✓ Provides current limiting short-circuit protection per spur
- ✓ Single-sided plug configuration eliminates cable bend radius issues



Key Commercial Data

Packing unit	1 pc
GTIN	 4 055626 590585
GTIN	4055626590585
Weight per Piece (excluding packing)	1.000 g
Custom tariff number	85371098
Country of origin	United States

Technical data

Note

Utilization restriction	Use in potentially explosive areas is not permitted in China.
-------------------------	---

Dimensions

Width	254 mm
-------	--------

Junction box - FB1-S1-6SP-T-0-10-00-0-0 - 2316420

Technical data

Dimensions

Height	254 mm
Depth	127 mm

Ambient conditions

Ambient temperature (operation)	-40 °C ... 70 °C
Ambient temperature (storage/transport)	-40 °C ... 70 °C
Degree of protection	IP66

General

Mounting type	Wall mounting
Net weight	4640 g
Housing material	Stainless steel
Color	gray
Conformance	CE-compliant, additionally EN 61326-1

Power supply

Max. current consumption	4.8 mA (No-load)
	340 mA (trunk)

Interfaces

Inductance L_i	4 μ H
Max. output voltage U_o	U_{in} (spur)

Safety data

Input voltage U_i	32 V (IIB (C/D))
Max. output voltage U_o	U_{in} (spur)
Max. output current I_o	56 mA (spur)
Max. output power P_o	1.792 W
Group	IIC/IIB
Max. external capacitance C_o	80 nF
Additional text	spur
Group	IIC/IIB
Max. external inductivity L_o	0.26 mH
Additional text	per spur
ATEX	DEMKO 16ATEX1704X II 3 G D Ex nA [ic] IIC T4 Gc, Ex nA nC [ic] IIC T4 Gc Ex ic IIC T4 Gc, FISCO ic spurs Ex tc IIIC T135 Dc IP66
IECEX	IECEX UL 16.0079X Ex nA [ic] IIC T4 Gc, Ex nA nC [ic] IIC T4 Gc Ex ic IIC T4 Gc, FISCO ic spurs Ex tc IIIC T135 Dc IP66

Junction box - FB1-S1-6SP-T-0-10-00-0-0 - 2316420

Technical data

Safety data

Safety-related maximum voltage U_m	17.5 V (in acc. with EN 60079-11)
--------------------------------------	-----------------------------------

Standards and Regulations

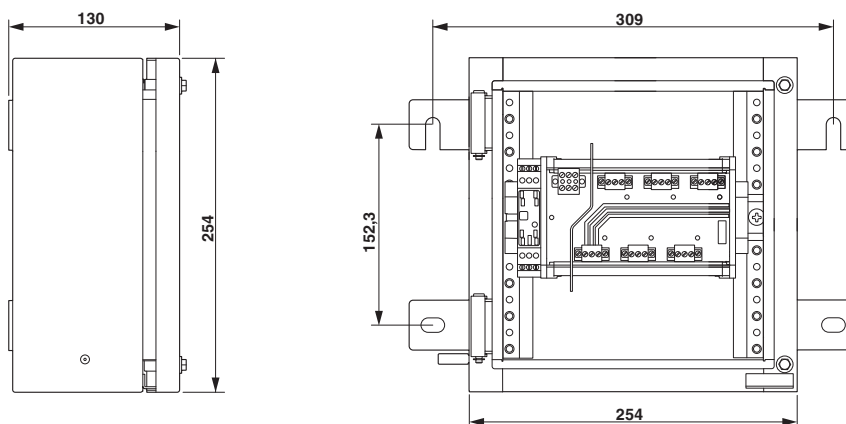
Standards/regulations	EN 61326-1
	EN 60079-0
	EN 60079-11
	EN 60079-15
Conformance	CE-compliant, additionally EN 61326-1
Group	IIC/IIB
	IIC/IIB
ATEX	DEMKO 16ATEX1704X II 3 G D Ex nA [ic] IIC T4 Gc, Ex nA nC [ic] IIC T4 Gc Ex ic IIC T4 Gc, FISCO ic spurs Ex tc IIIC T135 Dc IP66
IECEX	IECEX UL 16.0079X Ex nA [ic] IIC T4 Gc, Ex nA nC [ic] IIC T4 Gc Ex ic IIC T4 Gc, FISCO ic spurs Ex tc IIIC T135 Dc IP66
UL, USA/Canada	Class I, Zone 2, AEx nA [ic] IIC T4 Gc, AEx nA nC[ic] IIC T4 Gc Entity/ FISCO spurs Class I, Div. 2, Groups A, B, C, D, T4 Class I, Zone 22, AEx tc IIIC T135 Dc IP66

Environmental Product Compliance

REACH SVHC	Lead 7439-92-1
------------	----------------

Drawings

Dimensional drawing



Junction box - FB1-S1-6SP-T-0-10-00-0-0 - 2316420

Classifications

eCl@ss

eCl@ss 10.0.1	27180101
eCl@ss 11.0	27180101
eCl@ss 4.0	27250203
eCl@ss 4.1	27250203
eCl@ss 5.0	27250203
eCl@ss 5.1	27259205
eCl@ss 6.0	27180100
eCl@ss 7.0	27180101
eCl@ss 9.0	27180101

ETIM

ETIM 3.0	EC001600
ETIM 4.0	EC000261
ETIM 6.0	EC000261
ETIM 7.0	EC000261

UNSPSC

UNSPSC 6.01	30211506
UNSPSC 7.0901	39121008
UNSPSC 11	39121008
UNSPSC 12.01	39121008
UNSPSC 13.2	43201553