

FB2-S1-12SP-T-0-16-00-0-0 - Junction box



2316417

<https://www.phoenixcontact.com/us/products/2316417>

Please be informed that the data shown in this PDF document is generated from our online catalog. Please find the complete data in the user documentation. Our general terms of use for downloads are valid.



Stainless steel field junction box with 16 ports for use in hazardous locations. Includes 12-spur block device coupler (FB-12SP) for Foundation Fieldbus or PROFIBUS PA, three terminal blocks for trunk cable connection (+, -, S).

Product description

FF/PA - 12-spur block junction box

Your advantages

- Single-sided plug configuration eliminates cable bend radius issues
- Provides current limiting short-circuit protection per spur
- Connect up to 12 Foundation Fieldbus or PROFIBUS PA field devices
- Terminator preinstalled

Commercial data

Item number	2316417
Packing unit	1 pc
Minimum order quantity	1 pc
Sales key	DN11
Product key	DNC1Z1
Catalog page	Page 453 (C-6-2019)
GTIN	4055626301754
Weight per piece (including packing)	8.14 kg
Weight per piece (excluding packing)	6.54 kg
Customs tariff number	85371098
Country of origin	US

Technical data

Notes

Utilization restriction

CCCex note	Use in potentially explosive areas is not permitted in China.
------------	---

Product properties

Product type	Control box
--------------	-------------

Electrical properties

Supply

Max. current consumption	6.5 mA (No-load)
	680 mA (trunk)

Ex data

Safety data

Input voltage U_i	32 V (IIB (C/D))
	24 V (IIC (A/B))
	17.5 V (FISCO)
Inductance L_i	4 μ H
Capacitance C_i	0 μ F
Max. output voltage U_o	U_{in} (spur)
Max. output current I_o	56 mA (per spur)
Max. output power P_o	1.792 W
Safety-related maximum voltage U_m	17.5 V
IIC/IIB (per spur): Max. external inductivity L_o / Max. external capacitance C_o	/ 80 nF
	0.26 mH

Interfaces

Signal	FOUNDATION Fieldbus
	PROFIBUS

Data

No. of channels	12
Termination resistor	Integrated termination, activated with bridge located in correct terminals
Conductor cross section flexible max.	2.5 mm ²
Conductor cross section flexible min.	0.2 mm ²
Conductor cross section, rigid max.	2.5 mm ²
Conductor cross section, rigid min.	0.2 mm ²
Conductor cross section AWG max.	12
Conductor cross section AWG min.	24

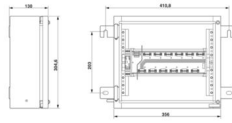
FB2-S1-12SP-T-0-16-00-0-0 - Junction box



2316417

<https://www.phoenixcontact.com/us/products/2316417>

Dimensions

Dimensional drawing	
Width	355.6 mm
Height	304.8 mm
Depth	127 mm

Material specifications

Color	gray
Housing material	Stainless steel

Environmental and real-life conditions

Ambient conditions

Degree of protection	IP66
Ambient temperature (operation)	-40 °C ... 70 °C
Ambient temperature (storage/transport)	-40 °C ... 70 °C
Altitude	2000 m
Max. permissible relative humidity (operation)	< 95 % (non-condensing)

Approvals

Conformity/Approvals

Conformance	CE-compliant, additionally EN 61326-1
-------------	---------------------------------------

Ex data

ATEX	DEMKO 16ATEX1704X II 3 G D Ex nA [ic] IIC T4 Gc, Ex nA nC [ic] IIC T4 Gc Ex ic IIC T4 Gc, FISCO ic spurs Ex tc IIIC T135 Dc IP66
IECEX	IECEX UL 16.0079X Ex nA [ic] IIC T4 Gc, Ex nA nC [ic] IIC T4 Gc Ex ic IIC T4 Gc, FISCO ic spurs Ex tc IIIC T135 Dc IP66
UL, USA / Canada	Class I, Zone 2, AEx nA [ic] IIC T4 Gc, AEx nA nC [ic] IIC T4 Gc Entity/FISCO spurs Class I, Div. 2, Groups A, B, C, D, T4 Class I, Zone 22, AEx tc IIIC T135 Dc IP66

Standards and regulations

Standards

Standards/regulations	EN 61326-1
	EN 60079-0
	EN 60079-11
	EN 60079-15

FB2-S1-12SP-T-0-16-00-0-0 - Junction box



2316417

<https://www.phoenixcontact.com/us/products/2316417>

Mounting

Mounting type

Wall mounting

FB2-S1-12SP-T-0-16-00-0-0 - Junction box



2316417

<https://www.phoenixcontact.com/us/products/2316417>

Classifications

ECLASS

ECLASS-11.0	27180101
ECLASS-12.0	27180101

ETIM

ETIM 9.0	EC000261
----------	----------

UNSPSC

UNSPSC 21.0	31261500
-------------	----------

Phoenix Contact 2024 © - all rights reserved

<https://www.phoenixcontact.com>

Phoenix Contact USA
586 Fulling Mill Road
Middletown, PA 17057, United States
(+717) 944-1300
info@phoenixcon.com