

FB-HSA - Converter

2316372

<https://www.phoenixcontact.com/us/products/2316372>



Please be informed that the data shown in this PDF document is generated from our online catalog. Please find the complete data in the user documentation. Our general terms of use for downloads are valid.

Head station for basic system functionality, no monitoring of PROFIBUS networks



Product description

PROFIBUS head station

Your advantages

- Powerful, embedded web server for configuration and access to network diagnostics
- One communication interface module can drive up to ten individual PROFIBUS DP or PROFIBUS PA modules
- Manage and configure PROFIBUS field devices using FDT/DTM

Commercial data

Item number	2316372
Packing unit	1 pc
Note	Made to order (non-returnable)
Sales key	DN11
Product key	DNC135
Catalog page	Page 460 (C-6-2019)
GTIN	4055626020488
Weight per piece (including packing)	222 g
Weight per piece (excluding packing)	222 g
Customs tariff number	85176200
Country of origin	NL

Technical data

Product properties

Product type	Device coupler
--------------	----------------

Electrical properties

Supply

Supply voltage range	10.8 V DC ... 26.4 V DC
Max. current consumption	800 mA

Output data

Switching

Designation	Alarm contact
Contact switching type	1 N/O contact
Switching current	500 mA (24 V DC/170 V AC)

Connection data

Supply

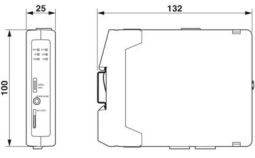
Conductor cross section, flexible	0.20 mm ² ... 2.50 mm ²
Conductor cross section, rigid	0.20 mm ² ... 2.50 mm ²
Conductor cross section AWG	24 ... 12

Interfaces

Data: Ethernet

Connection method	RJ45
No. of channels	1
Conductor cross section flexible max.	2.5 mm ²
Conductor cross section flexible min.	0.2 mm ²
Conductor cross section, rigid max.	2.5 mm ²
Conductor cross section, rigid min.	0.2 mm ²
Conductor cross section AWG max.	12
Conductor cross section AWG min.	24

Dimensions

Dimensional drawing	
Width	25 mm
Height	100 mm

Depth	132 mm
-------	--------

Material specifications

Color	green
-------	-------

Environmental and real-life conditions

Ambient conditions

Degree of protection	IP20
Ambient temperature (operation)	-20 °C ... 60 °C
Ambient temperature (storage/transport)	-20 °C ... 60 °C
Permissible humidity (operation)	5 % ... 95 % (non-condensing)
Permissible humidity (storage/transport)	5 % ... 95 % (non-condensing)

Approvals

Conformity/Approvals

UL, USA / Canada	UL 508 Listed
UL, Canada	CSA C22.2 No. 142

Standards and regulations

Standards/regulations

Standards/regulations	Ring wave noise immunity in acc. with IEC 61000-4-12
-----------------------	--

Standards/regulations

Standards/regulations	Dry heat in acc. with IEC 61131-2
-----------------------	-----------------------------------

Standards/regulations

Standards/regulations	Damp heat in acc. with IEC 61131-2
-----------------------	------------------------------------

Standards/regulations

Standards/regulations	Shock and vibration in acc. with EN 61131-2 and EN 50178
-----------------------	--

PROFIBUS standardization

Standards/regulations	IEC 61158-2
-----------------------	-------------

Mounting

Mounting type	DIN rail: 35 mm
---------------	-----------------

Classifications

ECLASS

ECLASS-11.0	27242610
ECLASS-12.0	27242610
ECLASS-13.0	27242610

ETIM

ETIM 9.0	EC001600
----------	----------

UNSPSC

UNSPSC 21.0	32151600
-------------	----------

FB-HSA - Converter

2316372

<https://www.phoenixcontact.com/us/products/2316372>



Environmental product compliance

China RoHS	Environmentally Friendly Use Period = 50 years For information on hazardous substances, refer to the manufacturer's declaration available under "Downloads"
------------	--

Phoenix Contact 2024 © - all rights reserved
<https://www.phoenixcontact.com>

Phoenix Contact USA
586 Fulling Mill Road
Middletown, PA 17057, United States
(+717) 944-1300
info@phoenixcon.com