

FB-HSC - Converter

2316371

<https://www.phoenixcontact.com/us/products/2316371>



Please be informed that the data shown in this PDF document is generated from our online catalog. Please find the complete data in the user documentation. Our general terms of use for downloads are valid.

Head station for monitoring up to four PROFIBUS networks



Product description

PROFIBUS head station

Your advantages

- One communication interface module can drive up to ten individual PROFIBUS DP or PROFIBUS PA modules
- Powerful, embedded web server for configuration and access to network diagnostics
- Manage and configure PROFIBUS field devices using FDT/DTM

Commercial data

| | |
|--------------------------------------|--------------------------------|
| Item number | 2316371 |
| Packing unit | 1 pc |
| Note | Made to order (non-returnable) |
| Sales key | DN11 |
| Product key | DNC135 |
| Catalog page | Page 460 (C-6-2019) |
| GTIN | 4055626020464 |
| Weight per piece (including packing) | 419.8 g |
| Weight per piece (excluding packing) | 417.8 g |
| Customs tariff number | 85176200 |
| Country of origin | NL |

Technical data

Product properties

| | |
|--------------|----------------|
| Product type | Device coupler |
|--------------|----------------|

Electrical properties

Supply

| | |
|--------------------------|-------------------------|
| Supply voltage range | 10.8 V DC ... 26.4 V DC |
| Max. current consumption | 800 mA |

Connection data

Supply

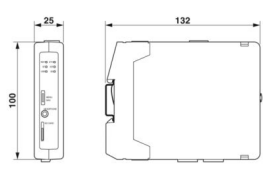
| | |
|-----------------------------------|---|
| Conductor cross section, flexible | 0.20 mm ² ... 2.50 mm ² |
| Conductor cross section, rigid | 0.20 mm ² ... 2.50 mm ² |
| Conductor cross section AWG | 24 ... 12 |

Interfaces

Data: Ethernet

| | |
|---------------------------------------|---------------------|
| Connection method | RJ45 |
| No. of channels | 1 |
| Conductor cross section flexible max. | 2.5 mm ² |
| Conductor cross section flexible min. | 0.2 mm ² |
| Conductor cross section, rigid max. | 2.5 mm ² |
| Conductor cross section, rigid min. | 0.2 mm ² |
| Conductor cross section AWG max. | 12 |
| Conductor cross section AWG min. | 24 |

Dimensions

| | |
|---------------------|--|
| Dimensional drawing |  |
| Width | 25 mm |
| Height | 100 mm |
| Depth | 132 mm |

Material specifications

| | |
|-------|-------|
| Color | green |
|-------|-------|

Environmental and real-life conditions

Ambient conditions

| | |
|--|-------------------------------|
| Degree of protection | IP20 |
| Ambient temperature (operation) | -20 °C ... 60 °C |
| Ambient temperature (storage/transport) | -20 °C ... 60 °C |
| Permissible humidity (operation) | 5 % ... 95 % (non-condensing) |
| Permissible humidity (storage/transport) | 5 % ... 95 % (non-condensing) |

Approvals

Conformity/Approvals

| | |
|------------------|-------------------|
| UL, USA / Canada | UL 508 Listed |
| UL, Canada | CSA C22.2 No. 142 |

Standards and regulations

Standards/regulations

| | |
|-----------------------|--|
| Standards/regulations | Ring wave noise immunity in acc. with IEC 61000-4-12 |
|-----------------------|--|

Standards/regulations

| | |
|-----------------------|-----------------------------------|
| Standards/regulations | Dry heat in acc. with IEC 61131-2 |
|-----------------------|-----------------------------------|

Standards/regulations

| | |
|-----------------------|------------------------------------|
| Standards/regulations | Damp heat in acc. with IEC 61131-2 |
|-----------------------|------------------------------------|

Standards/regulations

| | |
|-----------------------|--|
| Standards/regulations | Shock and vibration in acc. with EN 61131-2 and EN 50178 |
|-----------------------|--|

PROFIBUS standardization

| | |
|-----------------------|-------------|
| Standards/regulations | IEC 61158-2 |
|-----------------------|-------------|

Mounting

| | |
|---------------|-----------------|
| Mounting type | DIN rail: 35 mm |
|---------------|-----------------|

FB-HSC - Converter

2316371

<https://www.phoenixcontact.com/us/products/2316371>



Classifications

ECLASS

| | |
|-------------|----------|
| ECLASS-11.0 | 27242610 |
| ECLASS-12.0 | 27242610 |
| ECLASS-13.0 | 27242610 |

ETIM

| | |
|----------|----------|
| ETIM 9.0 | EC001600 |
|----------|----------|

UNSPSC

| | |
|-------------|----------|
| UNSPSC 21.0 | 32151600 |
|-------------|----------|

FB-HSC - Converter



2316371

<https://www.phoenixcontact.com/us/products/2316371>

Environmental product compliance

| | |
|------------|--|
| China RoHS | Environmentally Friendly Use Period = 50 years For information on hazardous substances, refer to the manufacturer's declaration available under "Downloads" |
|------------|--|

Phoenix Contact 2024 © - all rights reserved
<https://www.phoenixcontact.com>

Phoenix Contact USA
586 Fulling Mill Road
Middletown, PA 17057, United States
(+717) 944-1300
info@phoenixcon.com