

## Set - EV-SET-T2AC-ADV-RCM2-32ASE12 - 1628082

Please be informed that the data shown in this PDF Document is generated from our Online Catalog. Please find the complete data in the user's documentation. Our General Terms of Use for Downloads are valid (<http://phoenixcontact.com/download>)



CHARX start twin, Starter kit for easy assembly of a charging station, Separate module with release function of the locking actuator for disconnection of Infrastructure Plug and Infrastructure Socket Outlet, IEC 62196-2, IEC 61851-1, Mode 3, Case B, 22 kW, 32 A, 400 V AC, cable: 0.7 m


### Product Description

TWIN charging technology set with AC Infrastructure Socket Outlets, with sample assembly and installation instructions for a charging station for E-Mobility (EVSE), including recommendations for further components required (charging contactor, safety equipment), for charging electric vehicles (EV) with alternating current (AC) via Type 2 Vehicle Inlets

### Your advantages

- Set of all Phoenix Contact charging technology products and terminal blocks with recommendations for further components required (charging contactor, safety equipment)
- Convenient ordering, thanks to just one order number for the set, saving you the job of putting together matching components
- Certified in accordance with IATF 16949:2016 and ISO 9001:2015
- Safe use, thanks to verified instructions regarding compatible components
- Stand-alone and simple setup of an AC charging station without additional development effort based on a wiring diagram
- Flexible application options, thanks to comprehensive configuration options and various communication interfaces for the charging controller

### Key Commercial Data

Packing unit	1
GTIN	 4 055626 379098
GTIN	4055626379098
Custom tariff number	85366990

### Technical data

#### Product definition

Type	Starter kit
Application	for easy assembly of a charging station
Standards/regulations	IEC 62196-2
	IEC 61851-1
Charging standard	Type 2
Charging mode	Mode 3, Case B

## Set - EV-SET-T2AC-ADV-RCM2-32ASE12 - 1628082

### Technical data

#### Product definition

Number of supported charging points	2
Locking release in the event of mains failure	Separate module with release function of the locking actuator for disconnection of Infrastructure Plug and Infrastructure Socket Outlet
Note	Set of all Phoenix Contact charging technology products and terminal blocks with recommendations for further components required (charging contactor, safety equipment)
	The installation and startup of this device may only be performed by an electrically skilled person. Observe the applicable national standards and regulations.
	The individual components bear a CE marking if legally required.

#### Dimensions

Conductor length	0.70 m
Cable length of locking actuator	0.50 m

#### Electrical properties

Type of charging current	AC 3-phase
Charging power	22 kW
Charge current	32 A
Charging voltage	400 V AC

#### Charging technology set

Type of charging point	AC infrastructure socket outlets, 12 V locking actuators, self-closing IP54 protective covers
Charging controller	Advanced AC charging controller
Locking release in the event of mains failure	Separate module with release function of the locking actuator for disconnection of Infrastructure Plug and Infrastructure Socket Outlet
Residual current monitoring module	2-channel RCM
Real power measurement module	Energy meters
Wiring diagram	Including download of sample E-Plan
Set consists of	1405214 EV-T2M3SE12-3AC32A-0,7M6,0E10
	1405217 EV-T2SC
	2902802 EM-CP-PP-ETH
	2903246 EM-EV-CLR-12V
	2905849 EEM-350-D-MCB
	2868538 STEP-PS/ 1AC/12DC/1
	1622451 EV-RCM-C2-AC30-DC6
	2900305 PLC-RPT-230UC/21
	3208760 PT 16-TWIN N
	3208773 PT 16-TWIN N BU
	3208786 PT 16-TWIN N-PE

## Set - EV-SET-T2AC-ADV-RCM2-32ASE12 - 1628082

### Technical data

#### Charging technology set

	3211813 PT 6
	3211819 PT 6 BU
	3211822 PT 6-PE
	3209510 PT 2,5
	3209523 PT 2,5 BU
	3025040 ZFK 6-DREHSI (5X20)
	3005950 FBS 2-12
	3030190 FBS 5-5
	3030417 D-ST 2,5
	3212044 D-PT 6
	3208799 D-PT 16-TWIN N
	3022276 CLIPFIX 35-5

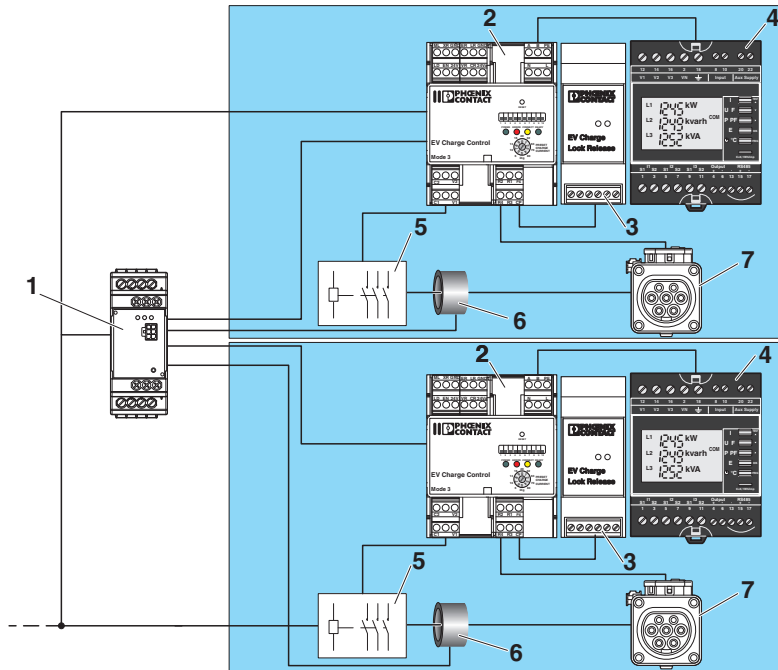
#### Environmental Product Compliance

REACH SVHC	Lead 7439-92-1
China RoHS	Environmentally Friendly Use Period = 50 years
	For details about hazardous substances go to tab "Downloads", Category "Manufacturer's declaration"

### Drawings

# Set - EV-SET-T2AC-ADV-RCM2-32ASE12 - 1628082

Connection diagram



Connection drawing:

1. RCM, 2. Charging controller, 3. Locking release module for mains failure, 4. Energy measuring device, 5. Charging contactor, 6. RCM sensor coil, 7. Infrastructure socket outlet

## Articles in set

Socket Outlet - EV-T2M3SE12-3AC32A-0,7M6,0E10 - 1405214



CHARX connect, Socket Outlet, rear protective cover screw connection, For charging electric vehicles (EV) with alternating current (AC), Compatible with infrastructure charging plugs, Type 2, IEC 62196-2, 32 A / 480 V (AC), Single wires, length: 0.7 m, Locking actuator: 12 V, 4-position, Rear panel mounting, Generation 1, "PHOENIX CONTACT" logo

Protective covers - EV-T2SC - 1405217



CHARX connect, Protective covers, self-closing, rear protective cover screw connection, For attaching to infrastructure charging sockets, Type 2, IEC 62196-2, Front mounting, M5 thread, Generation 1, Embossed PHOENIX CONTACT logo

## Set - EV-SET-T2AC-ADV-RCM2-32ASE12 - 1628082

### Articles in set

#### AC charging controller - EM-CP-PP-ETH - 2902802



EV charge control is used to charge electrical vehicles on the 3-phase AC mains power supply according to IEC 61851-1 Mode 3. All necessary control functions are integrated. Additional functions are available for various charging applications.

---

#### Voltage monitoring device - EM-EV-CLR-12V - 2903246



The EV Charge Lock Release monitors the 12 V operating voltage of the electrically driven plug locking actuator, routes locking and unlocking signals, and sends an unlocking pulse to the actuator when the operating voltage fails.

---

#### Measuring instrument - EEM-350-D-MCB - 2905849



Three-phase energy meter for real power measurement in networks up to 460 V / 65 A, with 3 digital inputs and RS-485 interface, certified according to the MID directive

---

#### Power supply unit - STEP-PS/ 1AC/12DC/1 - 2868538



Primary-switched STEP POWER power supply for DIN rail mounting, input: 1-phase, output: 12 V DC/1 A

---

#### Differential current monitoring - EV-RCM-C2-AC30-DC6 - 1622451



The residual current module is used for AC and DC residual current detection in AC charging points. The higher-level safety equipment (e.g., residual current circuit breaker) is protected against potential DC residual currents. A 1 or 2-channel product version is available.

## Set - EV-SET-T2AC-ADV-RCM2-32ASE12 - 1628082

### Articles in set

#### Relay Module - PLC-RPT-230UC/21 - 2900305



PLC-INTERFACE, consisting of PLC-BPT.../21 basic terminal block with Push-in connection and plug-in miniature relay with power contact, for mounting on DIN rail NS 35/7,5, 1 changeover contact, input voltage 230 V AC/220 V DC

---

#### Feed-through terminal block - PT 16-TWIN N - 3208760



Feed-through terminal block, nom. voltage: 1000 V, nominal current: 76 A, connection method: Push-in connection, number of connections: 3, cross section: 0.5 mm<sup>2</sup> - 25 mm<sup>2</sup>, AWG: 20 - 4, width: 12.2 mm, height: 53.3 mm, color: gray, mounting type: NS 35/7,5, NS 35/15

---

#### Feed-through terminal block - PT 16-TWIN N BU - 3208773



Feed-through terminal block, nom. voltage: 1000 V, nominal current: 76 A, connection method: Push-in connection, number of connections: 3, cross section: 0.5 mm<sup>2</sup> - 25 mm<sup>2</sup>, AWG: 20 - 4, width: 12.2 mm, height: 53.3 mm, color: blue, mounting type: NS 35/7,5, NS 35/15

---

#### Ground modular terminal block - PT 16-TWIN N-PE - 3208786



Ground modular terminal block, connection method: Push-in connection, number of connections: 3, cross section: 0.5 mm<sup>2</sup> - 25 mm<sup>2</sup>, AWG: 20 - 4, width: 12.2 mm, height: 53.3 mm, color: green-yellow, mounting type: NS 35/7,5, NS 35/15

---

#### Feed-through terminal block - PT 6 - 3211813



Feed-through terminal block, nom. voltage: 1000 V, nominal current: 41 A, connection method: Push-in connection, number of connections: 2, number of positions: 1, cross section: 0.5 mm<sup>2</sup> - 10 mm<sup>2</sup>, AWG: 20 - 8, width: 8.2 mm, height: 42.2 mm, color: gray, mounting type: NS 35/7,5, NS 35/15

## Set - EV-SET-T2AC-ADV-RCM2-32ASE12 - 1628082

### Articles in set

#### Feed-through terminal block - PT 6 BU - 3211819



Feed-through terminal block, nom. voltage: 1000 V, nominal current: 41 A, connection method: Push-in connection, number of connections: 2, cross section: 0.5 mm<sup>2</sup> - 10 mm<sup>2</sup>, AWG: 20 - 8, width: 8.2 mm, height: 42.2 mm, color: blue, mounting type: NS 35/7,5, NS 35/15

---

#### Ground modular terminal block - PT 6-PE - 3211822



Ground modular terminal block, connection method: Push-in connection, number of connections: 2, cross section: 0.5 mm<sup>2</sup> - 10 mm<sup>2</sup>, AWG: 20 - 8, width: 8.2 mm, height: 42.2 mm, color: green-yellow, mounting type: NS 35/7,5, NS 35/15

---

#### Feed-through terminal block - PT 2,5 - 3209510



Feed-through terminal block, nom. voltage: 800 V, nominal current: 24 A, connection method: Push-in connection, number of connections: 2, number of positions: 1, cross section: 0.14 mm<sup>2</sup> - 4 mm<sup>2</sup>, AWG: 26 - 12, width: 5.2 mm, height: 35.3 mm, color: gray, mounting type: NS 35/7,5, NS 35/15

---

#### Feed-through terminal block - PT 2,5 BU - 3209523



Feed-through terminal block, nom. voltage: 800 V, nominal current: 24 A, connection method: Push-in connection, number of connections: 2, number of positions: 1, cross section: 0.14 mm<sup>2</sup> - 4 mm<sup>2</sup>, AWG: 26 - 12, width: 5.2 mm, height: 35.3 mm, color: blue, mounting type: NS 35/7,5, NS 35/15

---

#### Fuse modular terminal block - ZFK 6-DREHSI (5X20) - 3025040



Spring-cage terminal block-fuse terminal block for cartridge fuse inserts with screw cap, cross section: 0.5 - 6 mm<sup>2</sup>, width: 12 mm, color: black

## Set - EV-SET-T2AC-ADV-RCM2-32ASE12 - 1628082

### Articles in set

Plug-in bridge - FBS 2-12 - 3005950



Plug-in bridge, pitch: 12 mm, number of positions: 2, color: red

---

Plug-in bridge - FBS 5-5 - 3030190



Plug-in bridge, pitch: 5.2 mm, length: 23 mm, width: 24.6 mm, number of positions: 5, color: red

---

End cover - D-ST 2,5 - 3030417



End cover, length: 48.6 mm, width: 2.2 mm, height: 29.1 mm, color: gray

---

End cover - D-PT 6 - 3212044



End cover, length: 57.7 mm, width: 2.2 mm, height: 36 mm, color: gray

---

End cover - D-PT 16-TWIN N - 3208799



End cover, length: 100.2 mm, width: 2.2 mm, height: 46 mm, color: gray

---



## Set - EV-SET-T2AC-ADV-RCM2-32ASE12 - 1628082

### Articles in set

End clamp - CLIPFIX 35-5 - 3022276



Quick mounting end clamp for NS 35/7,5 DIN rail or NS 35/15 DIN rail, with marking option, with parking option for FBS...5, FBS...6, KSS 5, KSS 6, width: 5.15 mm, color: gray

---

### Classifications

#### eCl@ss

eCl@ss 10.0.1	27144792
eCl@ss 9.0	27144792

#### ETIM

ETIM 6.0	EC002884
ETIM 7.0	EC002884