

HC-D07-SG-RBK - Seal



1424441

<https://www.phoenixcontact.com/us/products/1424441>

Please be informed that the data shown in this PDF document is generated from our online catalog. Please find the complete data in the user documentation. Our general terms of use for downloads are valid.

Replacement seal for HC-D7 housing



Commercial data

Item number	1424441
Packing unit	10 pc
Minimum order quantity	10 pc
Sales key	BF66
Product key	BF7APZ
Catalog page	Page 662 (C-2-2017)
GTIN	4055626372709
Weight per piece (including packing)	1.071 g
Weight per piece (excluding packing)	1.071 g
Customs tariff number	85366990
Country of origin	CN

HC-D07-SG-RBK - Seal

1424441

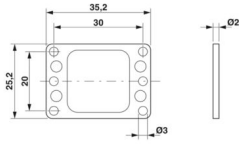
<https://www.phoenixcontact.com/us/products/1424441>

Technical data

Product properties

Product type	Seal
Application	for D7 series housing

Dimensions

Dimensional drawing	
Width	23.7 mm
Height	2.45 mm
Depth	2.45 mm
Length	23.7 mm
Drill hole distance, horizontal	30 mm
Drill hole distance, vertical	20 mm
Hole diameter	3 mm

Material specifications

Seal material	NBR
---------------	-----

Environmental and real-life conditions

Ambient conditions

Ambient temperature (operation)	-40 °C ... 125 °C
---------------------------------	-------------------

HC-D07-SG-RBK - Seal



1424441

<https://www.phoenixcontact.com/us/products/1424441>

Classifications

ECLASS

ECLASS-11.0	23071590
ECLASS-12.0	23071590
ECLASS-13.0	23071590

ETIM

ETIM 9.0	EC002498
----------	----------

UNSPSC

UNSPSC 21.0	31401600
-------------	----------

HC-D07-SG-RBK - Seal



1424441

<https://www.phoenixcontact.com/us/products/1424441>

Environmental product compliance

China RoHS	Environmentally friendly use period: unlimited = EFUP-e No hazardous substances above threshold values
------------	---

Phoenix Contact 2024 © - all rights reserved
<https://www.phoenixcontact.com>

Phoenix Contact USA
586 Fulling Mill Road
Middletown, PA 17057, United States
(+717) 944-1300
info@phoenixcon.com