

HC-STA-D25-CHWS-1TTM25-EL-AL - Housing



1424387

<https://www.phoenixcontact.com/us/products/1424387>

Please be informed that the data shown in this PDF document is generated from our online catalog. Please find the complete data in the user documentation. Our general terms of use for downloads are valid.



Coupling housings D25, with single locking latch, material: Die-cast aluminum, salt water resistant, cable outlets: 1, straight, 1x M25, height: 68 mm, cable gland: none, Standard

Commercial data

Item number	1424387
Packing unit	1 pc
Minimum order quantity	1 pc
Sales key	BF56
Product key	BF7APE
Catalog page	Page 531 (C-2-2019)
GTIN	4055626371276
Weight per piece (including packing)	177.5 g
Weight per piece (excluding packing)	177.5 g
Customs tariff number	85389099
Country of origin	CN

HC-STA-D25-CHWS-1TTM25-EL-AL - Housing

1424387

<https://www.phoenixcontact.com/us/products/1424387>

Technical data

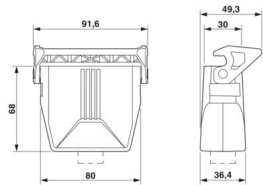
Notes

General	For contact inserts HC-D25, A16
---------	---------------------------------

Product properties

Type	D25
Product type	Housing with locking latch
Product family	HC-STA-D
Application	Standard
No. of cable outlets	1
Type of the screw connection	1x M25
Housing type	Coupling housings
Cable outlet	straight
Pg screw connection	none

Dimensions

Dimensional drawing	
Width	30 mm
Height	68 mm
Length	80 mm

Material specifications

Flammability rating according to UL 94	V0 (Interlock)
Housing surface material	uncoated
Locking latch material	PA
Impact strength	IK08
Housing material	Die-cast aluminum, salt water resistant

Mechanical properties

Mechanical data

Type of the screw connection	1x M25
Locking type	Latch

Environmental and real-life conditions

Ambient conditions

Degree of protection	IP66
	IP67

HC-STA-D25-CHWS-1TTM25-EL-AL - Housing



1424387

<https://www.phoenixcontact.com/us/products/1424387>

Impact strength	IK08
Ambient temperature (operation)	-40 °C ... 125 °C

1424387

<https://www.phoenixcontact.com/us/products/1424387>

Classifications

ECLASS

ECLASS-11.0	27440202
ECLASS-12.0	27440202
ECLASS-13.0	27440202

ETIM

ETIM 9.0	EC000437
----------	----------

UNSPSC

UNSPSC 21.0	31261500
-------------	----------

1424387

<https://www.phoenixcontact.com/us/products/1424387>

Environmental product compliance

China RoHS	Environmentally friendly use period: unlimited = EFUP-e No hazardous substances above threshold values
------------	---

Phoenix Contact 2024 © - all rights reserved
<https://www.phoenixcontact.com>

Phoenix Contact USA
586 Fulling Mill Road
Middletown, PA 17057, United States
(+717) 944-1300
info@phoenixcon.com