

HC-CIF-B24-HFWL-PL - DIN rail mounting frame



1424337

<https://www.phoenixcontact.com/us/products/1424337>

Please be informed that the data shown in this PDF document is generated from our online catalog. Please find the complete data in the user documentation. Our general terms of use for downloads are valid.

DIN rail mounting frame, design: B24, for contact inserts, Top frame



Commercial data

Item number	1424337
Packing unit	1 pc
Minimum order quantity	1 pc
Sales key	BF60
Product key	BF7AHB
Catalog page	Page 684 (C-2-2019)
GTIN	4055626370750
Weight per piece (including packing)	51.8 g
Weight per piece (excluding packing)	51.6 g
Customs tariff number	85389099
Country of origin	CN

HC-CIF-B24-HFWL-PL - DIN rail mounting frame



1424337

<https://www.phoenixcontact.com/us/products/1424337>

Technical data

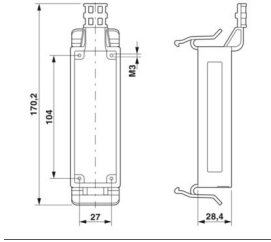
Notes

General	for B24, BB48, DD108, HV10 contact inserts and B24 module frame
General	Protection against electric shock must be ensured by the user. The continuity of the PE connection must be verified and satisfied by the user. The PE connection must be implemented equilaterally.

Product properties

Type	B24
Product type	DIN rail mounting frame
Housing type	DIN rail mounting frame
Protective cover	no
Series	HC-CIF-PL
Pg screw connection	none

Dimensions

Dimensional drawing	
Width	42 mm
Height	61 mm
Length	170 mm

Material specifications

Material	PC
Flammability rating according to UL 94	V0

Mechanical properties

Mechanical data

Locking type	Clip
--------------	------

Environmental and real-life conditions

Ambient conditions

Ambient temperature (operation)	-40 °C ... 125 °C
---------------------------------	-------------------

Mounting

HC-CIF-B24-HFWL-PL - DIN rail mounting frame



1424337

<https://www.phoenixcontact.com/us/products/1424337>

Assembly instructions

To ensure correct use, installation in an IP-protected space is required

HC-CIF-B24-HFWL-PL - DIN rail mounting frame



1424337

<https://www.phoenixcontact.com/us/products/1424337>

Classifications

ECLASS

ECLASS-11.0	27440210
ECLASS-12.0	27440210
ECLASS-13.0	27440210

ETIM

ETIM 9.0	EC002310
----------	----------

UNSPSC

UNSPSC 21.0	39121400
-------------	----------

HC-CIF-B24-HFWL-PL - DIN rail mounting frame



1424337

<https://www.phoenixcontact.com/us/products/1424337>

Environmental product compliance

China RoHS	Environmentally friendly use period: unlimited = EFUP-e No hazardous substances above threshold values
------------	---

Phoenix Contact 2024 © - all rights reserved
<https://www.phoenixcontact.com>

Phoenix Contact USA
586 Fulling Mill Road
Middletown, PA 17057, United States
(+717) 944-1300
info@phoenixcon.com