

# HC-EVO-B24-SHFDC-2SSM25-PLRBK - Housing



1421462

<https://www.phoenixcontact.com/us/products/1421462>

Please be informed that the data shown in this PDF document is generated from our online catalog. Please find the complete data in the user documentation. Our general terms of use for downloads are valid.



Box mounting bases B24, for double locking latch, material: PA, protective cover material: PC, cable outlets: 2, lateral, 2x M25, height: 84 mm, cable gland: none, protective cover: yes, Standard, including 2x reducing adapter

## Your advantages

- Lower costs than metal version
- Low weight
- Lower risk of condensation

## Commercial data

Item number	1421462
Packing unit	1 pc
Minimum order quantity	1 pc
Sales key	BF57
Product key	BF7APL
Catalog page	Page 640 (C-2-2019)
GTIN	4055626265056
Weight per piece (including packing)	262.2 g
Weight per piece (excluding packing)	262 g
Customs tariff number	85389099
Country of origin	PL

# HC-EVO-B24-SHFDC-2SSM25-PLRBK - Housing



1421462

<https://www.phoenixcontact.com/us/products/1421462>

## Technical data

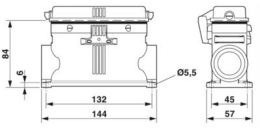
### Notes

General	For contact inserts HC-B24, BB46, D64, DD108, M, K, HV10-I-PT, HV 10-E...C
---------	--

### Product properties

Type	B24
Product type	Housing with locking latch
Product family	HC-EVO-B
Application	Standard
No. of cable outlets	2
Type of the screw connection	2x M25
Housing type	Box mounting bases
Protective cover	yes
Cable outlet	lateral
Pg screw connection	none

### Dimensions

Dimensional drawing	
Width	57 mm
Height	84 mm
Length	144 mm
Hole diameter	5.5 mm

### Material specifications

Flammability rating according to UL 94	V0 (Housing) V0 (Protective cover)
Seal material	NBR
Material, protective cover	PC
Impact strength	IK09
Housing material	PA

### Mechanical properties

Mechanical data	
Type of the screw connection	2x M25
Locking type	Pin

### Mounting

Assembly instructions	Two plastic reductions M40 to M25 are provided
-----------------------	--

1421462

<https://www.phoenixcontact.com/us/products/1421462>

One of the two openings for the screw connections is sealed but can be broken open using a screwdriver.

## Environmental and real-life conditions

### Ambient conditions

Degree of protection	IP66 (when plugged in) IP54 (with closed protective cover)
Enclosure rating (NEMA)	12 (UL 50e)
Impact strength	IK09
Ambient temperature (operation)	-40 °C ... 125 °C

1421462

<https://www.phoenixcontact.com/us/products/1421462>

## Classifications

### ECLASS

ECLASS-11.0	27440202
ECLASS-12.0	27440202
ECLASS-13.0	27440202

### ETIM

ETIM 9.0	EC000437
----------	----------

### UNSPSC

UNSPSC 21.0	31261500
-------------	----------

1421462

<https://www.phoenixcontact.com/us/products/1421462>

## Environmental product compliance

China RoHS	Environmentally friendly use period: unlimited = EFUP-e No hazardous substances above threshold values
------------	---

Phoenix Contact 2024 © - all rights reserved  
<https://www.phoenixcontact.com>

Phoenix Contact USA  
586 Fulling Mill Road  
Middletown, PA 17057, United States  
(+717) 944-1300  
[info@phoenixcon.com](mailto:info@phoenixcon.com)