

# HC-EVO-B10-SHWS-2SSM20-PLRBK - Housing



1421354

<https://www.phoenixcontact.com/us/products/1421354>

Please be informed that the data shown in this PDF document is generated from our online catalog. Please find the complete data in the user documentation. Our general terms of use for downloads are valid.



Box mounting bases B10, with single locking latch, material: PA, cable outlets: 2, lateral, 2x M20, height: 74 mm, cable gland: none, Standard, including 2x reducing adapter

## Product description

One screw connection opening is closed, however it can be opened using a screwdriver. Incl. two plastic reductions M32 to M20

## Your advantages

- Lower costs than metal version
- Low weight
- Lower risk of condensation

## Commercial data

Item number	1421354
Packing unit	1 pc
Minimum order quantity	1 pc
Sales key	BF57
Product key	BF7APL
Catalog page	Page 604 (C-2-2019)
GTIN	4055626264868
Weight per piece (including packing)	168.6 g
Weight per piece (excluding packing)	169 g
Customs tariff number	85389099
Country of origin	PL

# HC-EVO-B10-SHWS-2SSM20-PLRBK - Housing



1421354

<https://www.phoenixcontact.com/us/products/1421354>

## Technical data

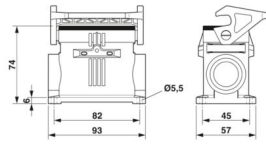
### Notes

General	For contact inserts HC-B10, BB18, DD42, M, K8/24, HV03-I-PT, HC- 3-E...C
---------	--------------------------------------------------------------------------

### Product properties

Type	B10
Product type	Housing with locking latch
Product family	HC-EVO-B
Application	Standard
No. of cable outlets	2
Type of the screw connection	2x M20
Housing type	Box mounting bases
Cable outlet	lateral
Pg screw connection	none

### Dimensions

Dimensional drawing	
Width	57 mm
Height	74 mm
Length	93 mm
Hole diameter	5.5 mm

### Material specifications

Flammability rating according to UL 94	V0 (Housing)
	V0 (Interlock)
Seal material	NBR
Locking latch material	PA
Impact strength	IK08
Housing material	PA

### Mechanical properties

#### Mechanical data

Type of the screw connection	2x M20
Locking type	Latch

### Mounting

Assembly instructions	Two plastic reductions M32 to M20 are provided
-----------------------	------------------------------------------------

# HC-EVO-B10-SHWS-2SSM20-PLRBK - Housing



1421354

<https://www.phoenixcontact.com/us/products/1421354>

One of the two openings for the screw connections is sealed but can be broken open using a screwdriver.

## Environmental and real-life conditions

### Ambient conditions

Degree of protection	IP66
Enclosure rating (NEMA)	12 (UL 50e)
Impact strength	IK08
Ambient temperature (operation)	-40 °C ... 125 °C

# HC-EVO-B10-SHWS-2SSM20-PLRBK - Housing



1421354

<https://www.phoenixcontact.com/us/products/1421354>

## Classifications

### ECLASS

ECLASS-11.0	27440202
ECLASS-12.0	27440202
ECLASS-13.0	27440202

### ETIM

ETIM 9.0	EC000437
----------	----------

### UNSPSC

UNSPSC 21.0	31261500
-------------	----------

# HC-EVO-B10-SHWS-2SSM20-PLRBK - Housing



1421354

<https://www.phoenixcontact.com/us/products/1421354>

## Environmental product compliance

China RoHS	Environmentally friendly use period: unlimited = EFUP-e No hazardous substances above threshold values
------------	-----------------------------------------------------------------------------------------------------------

Phoenix Contact 2024 © - all rights reserved  
<https://www.phoenixcontact.com>

Phoenix Contact USA  
586 Fulling Mill Road  
Middletown, PA 17057, United States  
(+717) 944-1300  
[info@phoenixcon.com](mailto:info@phoenixcon.com)