

Sample set - SACC-CI-M12FST-4P SMD-SP - 1418631


Please be informed that the data shown in this PDF Document is generated from our Online Catalog. Please find the complete data in the user's documentation. Our General Terms of Use for Downloads are valid (<http://phoenixcontact.com/download>)



Sample set, 4-position, Socket, straight, M12, T power, PCB mounting, SMD



Key Commercial Data

Packing unit	1
GTIN	 4 0 5 5 6 2 6 1 6 2 4 5 4
GTIN	4055626162454
Custom tariff number	85366990

Technical data

Ambient conditions

Ambient temperature (operation)	-25 °C ... 105 °C
	-55 °C ... 105 °C (without mechanical actuation)
	-25 °C ... 105 °C
Degree of protection	IP67 (correctly plugged in and locked)

General

Note	The electrical and mechanical data specified assume that the connector pair is correctly locked and mounted. If the connector is unlocked and if there is a danger of contamination, the connector must be sealed using a protective cap > IP54. Influences arising from litz wires, cables or PCB assembly must also be taken into consideration.
Rated current at 40°C	12 A
Rated voltage	60 V
Rated surge voltage	1.5 kV
Number of positions	4

Sample set - SACC-CI-M12FST-4P SMD-SP - 1418631

Technical data

General

Insulation resistance	≥ 100 MΩ
Coding	T power
Standards/regulations	M12 connector IEC 61076-2-111 In line with
Overvoltage category	III
Degree of pollution	3
Connection method	SMD
Insertion/withdrawal cycles	> 100
Mounting type	PCB mounting

Material

Flammability rating according to UL 94	V0
Contact material	CuZn
Contact surface material	Au
Contact carrier material	PA

Cable

Standards/specifications	M12 connector IEC 61076-2-111 In line with
--------------------------	--

Standards and Regulations

Standards/specifications	M12 connector IEC 61076-2-111 In line with
Flammability rating according to UL 94	V0

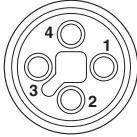
Environmental Product Compliance

REACH SVHC	Lead 7439-92-1
China RoHS	Environmentally Friendly Use Period = 50 years
	For details about hazardous substances go to tab "Downloads", Category "Manufacturer's declaration"

Drawings

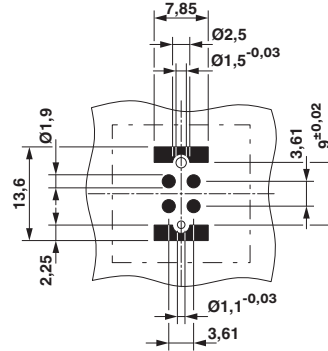
Sample set - SACC-CI-M12FST-4P SMD-SP - 1418631

Schematic diagram



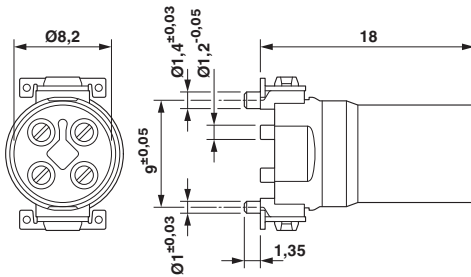
Pin assignment of M12 socket, 4-pos., T-coded, socket side view

Drilling diagram

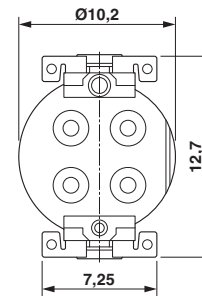


Soldering pad geometry

Dimensional drawing



Dimensional drawing



M12 female connector contact carrier

View of solder side

Classifications

eCl@ss

eCl@ss 10.0.1	27440205
eCl@ss 11.0	27440223
eCl@ss 5.1	27261200
eCl@ss 6.0	27261200
eCl@ss 7.0	27440205
eCl@ss 9.0	27440205

ETIM

ETIM 4.0	EC000438
ETIM 6.0	EC000438
ETIM 7.0	EC000438

Sample set - SACC-CI-M12FST-4P SMD-SP - 1418631

Classifications

UNSPSC

UNSPSC 13.2	39121522
UNSPSC 18.0	39121522
UNSPSC 19.0	39121522
UNSPSC 20.0	39121522
UNSPSC 21.0	39121522

Approvals

Approvals

Approvals

EAC

Ex Approvals

Approval details

EAC		B.01687
-----	---	---------