

QPD P 4PE1,5 9-14 BK - Connector

1414750

<https://www.phoenixcontact.com/us/products/1414750>

Please be informed that the data shown in this PDF document is generated from our online catalog. Please find the complete data in the user documentation. Our general terms of use for downloads are valid.



Connector, product family: QPD, connection method: IDC connection, number of positions: 4+PE, 0.5 mm² ... 1.5 mm², 690 V, 17.5 A, PA, black, with QUICKON nut, external cable diameter: 10 mm ... 14 mm

Your advantages

- Innovative and time saving - QUICKON fast connection for time saving of up to 80 % for on-site connection
- Robust throughout: housing with IP68/IP69K and IK07 protection for a wide range of applications
- Safer connection with mechanical coding to protect against mismatching, and touch-proof protection in accordance with DIN EN 0105
- Easy maintenance – the connectors enable fast device replacement and preassembled cables simplify startup

Commercial data

Item number	1414750
Packing unit	1 pc
Minimum order quantity	1 pc
Sales key	BF50
Product key	BF6BCA
Catalog page	Page 479 (C-2-2019)
GTIN	4055626033594
Weight per piece (including packing)	48.4 g
Weight per piece (excluding packing)	46 g
Customs tariff number	85366990
Country of origin	PL

QPD P 4PE1,5 9-14 BK - Connector



1414750

<https://www.phoenixcontact.com/us/products/1414750>

Technical data

Product properties

Type	QPD 5x1,5
Product type	Installation connector
Product family	QPD
Number of positions	5
Connection profile	4+PE
Position marking	1, 2, 3, N, PE
Number of connections	5
Number of connections per position	1
Coding	Coding profile

Insulation characteristics

Overvoltage category	III
Degree of pollution	3

Electrical properties

Rated surge voltage (II/2)	8 kV
Rated surge voltage (III/2)	8 kV
Rated surge voltage (III/3)	6 kV
Rated current	17.5 A
Contact resistance	< 3 mΩ
rated voltage (II/2)	1000 V
rated voltage (III/2)	1000 V
Rated voltage (III/3)	690 V
Nominal voltage U_N	690 V AC 690 V DC
Nominal current I_N	17.5 A

Connection data

Connection technology

Connection method On the field side	IDC connection
Frequency of connections between conductors of the same cross section	max. 10

Conductor connection

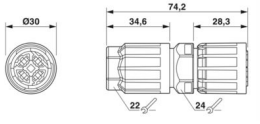
Conductor cross section flexibel	0.5 mm ² ... 1.5 mm ²
Conductor cross section solid	0.5 mm ² ... 1.5 mm ²
Connection cross section AWG	20 ... 16
Tightening torque Union nut	8 Nm
Tightening torque Locking nut	5 Nm

Dimensions

QPD P 4PE1,5 9-14 BK - Connector

1414750

<https://www.phoenixcontact.com/us/products/1414750>

Dimensional drawing	
Width	30 mm
Height	30 mm
Length	74.2 mm
Diameter	30 mm

Material specifications

Color	black (RAL 9005)
Material Housing	PA
Material Contact	Cu
Material Contact surface	Silver-plated
Flammability rating according to UL 94	V0
Material wire insulation	PVC / PE / rubber / TPE

Cable/line

Structure of individual litz in acc. with VDE 0295 / smallest wire diameter	VDE 0295 class 1 to 6/min. 0.15 mm
External cable diameter ()	10 mm ... 14 mm
Wire diameter including insulation	1.6 mm ... 3 mm
Position marking	1, 2, 3, N, PE
Material wire insulation	PVC/PE/TPE/rubber

Mechanical properties

Mechanical data

Insertion/withdrawal cycles	max. 50
-----------------------------	---------

Environmental and real-life conditions

Ambient conditions

Degree of protection	IP66
	IP68 (2 m / 24 h)
	IP69K
Ambient temperature (operation)	-40 °C ... 100 °C
Temperature when conductor connected	-5 °C ... 50 °C
Ambient temperature (storage/transport)	-40 °C ... 100 °C

QPD P 4PE1,5 9-14 BK - Connector



1414750

<https://www.phoenixcontact.com/us/products/1414750>

Classifications

ECLASS

ECLASS-11.0	27440605
ECLASS-12.0	27440605
ECLASS-13.0	27440605

ETIM

ETIM 9.0	EC002560
----------	----------

UNSPSC

UNSPSC 21.0	39121400
-------------	----------

QPD P 4PE1,5 9-14 BK - Connector



1414750

<https://www.phoenixcontact.com/us/products/1414750>

Environmental product compliance

China RoHS	Environmentally friendly use period: unlimited = EFUP-e
	No hazardous substances above threshold values

Phoenix Contact 2024 © - all rights reserved
<https://www.phoenixcontact.com>

Phoenix Contact USA
586 Fulling Mill Road
Middletown, PA 17057, United States
(+717) 944-1300
info@phoenixcon.com