

C-RCI 2,5/M3-B 1000 - Ring cable lug



1200334

<https://www.phoenixcontact.com/us/products/1200334>

Please be informed that the data shown in this PDF document is generated from our online catalog. Please find the complete data in the user documentation. Our general terms of use for downloads are valid.

Ring cable lug, width: 6 mm, color: blue



Commercial data

Item number	1200334
Packing unit	1,000 pc
Minimum order quantity	1,000 pc
Product key	BH3421
GTIN	4055626461922
Weight per piece (including packing)	1.46 g
Weight per piece (excluding packing)	1.46 g
Country of origin	TW

C-RCI 2,5/M3-B 1000 - Ring cable lug

1200334

<https://www.phoenixcontact.com/us/products/1200334>

Technical data

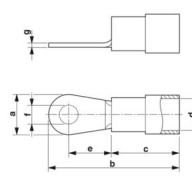
Product properties

Product type	Connector
--------------	-----------

Electrical properties

Fuse	yes
------	-----

Dimensions

Dimensional drawing	
Width	6 mm
Length of the insulating material sleeve	11.5 mm
Distance from the center to the insulating material sleeve	6 mm
Min. material thickness	0.8 mm
Inner dimensions of the insulating collar	4.5 mm

Internal dimensions

Internal diameter	3.2 mm
-------------------	--------

Material specifications

Color	blue
Flammability rating according to UL 94	V2
Components	halogen-free

C-RCI 2,5/M3-B 1000 - Ring cable lug



1200334

<https://www.phoenixcontact.com/us/products/1200334>

Classifications

ECLASS

ECLASS-11.0	27400204
ECLASS-13.0	27400204
ECLASS-12.0	27400204

ETIM

ETIM 9.0	EC001052
----------	----------

UNSPSC

UNSPSC 21.0	27121700
-------------	----------

C-RCI 2,5/M3-B 1000 - Ring cable lug



1200334

<https://www.phoenixcontact.com/us/products/1200334>

Environmental product compliance

China RoHS	Environmentally friendly use period: unlimited = EFUP-e
	No hazardous substances above threshold values

Phoenix Contact 2024 © - all rights reserved
<https://www.phoenixcontact.com>

Phoenix Contact USA
586 Fulling Mill Road
Middletown, PA 17057, United States
(+717) 944-1300
info@phoenixcon.com