

Socket Outlet - EV-T2M3S-3AC32A-5,5M6,0E00 - 1035208

Please be informed that the data shown in this PDF Document is generated from our Online Catalog. Please find the complete data in the user's documentation. Our General Terms of Use for Downloads are valid (<http://phoenixcontact.com/download>)



Product Description


Infrastructure Socket Outlet for charging electric vehicles (EV) with alternating current (AC), compatible with type 2 Infrastructure Plugs, for installation at charging stations for E-Mobility (EVSE)

Your advantages

- ✓ Uniform, space-saving installation space of all Phoenix Contact Infrastructure Socket Outlets
- ✓ Silver-plated surface of the power and signal contacts
- ✓ Certified in accordance with IATF 16949:2016 and ISO 9001:2015



Key Commercial Data

Packing unit	1 pc
GTIN	 4 055626 541051
GTIN	4055626541051
Weight per Piece (excluding packing)	2,380.000 g
Custom tariff number	85444290
Country of origin	Germany

Technical data

Product definition

Type	rear protective cover screw connection
	without locking actuator
Application	For charging electric vehicles (EV) with alternating current (AC)
	Compatible with infrastructure charging plugs

Socket Outlet - EV-T2M3S-3AC32A-5,5M6,0E00 - 1035208

Technical data

Product definition

Affixed logo	"PHOENIX CONTACT" logo
Design	Generation 1
Standards/regulations	IEC 62196-2
Charging standard	Type 2
Charging mode	Mode 3, Case B
Note	NOTE This product version does not include a locking actuator.
	Make sure that the Infrastructure Plug is locked into the Infrastructure Socket Outlet during the charging process according to IEC 61851-1. We recommend using our locking actuators (1624129, 1622317). If another type of locking is selected, we recommend sealing the mounting surface (1621465), see also accessories.
Note on the connection method	Crimp connection, cannot be disconnected

Dimensions

Height	79.5 mm
Width	75 mm
Depth	70.8 mm
Bore dimensions	60 mm x 60 mm
Conductor length	5.5 m
Cable structure	5x 6.0 mm ² + 2x 0.5 mm ²
Type of conductor	Single wires

Ambient conditions

Ambient temperature (operation)	-30 °C ... 50 °C
Ambient temperature (storage/transport)	-40 °C ... 80 °C
Max. altitude	5000 m (above sea level)
Degree of protection	IP44 (plugged in)
	IP54 (with protective cover, see accessories)

Electrical properties

Maximum charging power	22 kW
Type of charging current	AC 3-phase
Number of phases	3
Number of power contacts	5 (L1, L2, L3, N, PE)
Rated current of power contacts	32 A
Rated voltage for power contacts	480 V AC
Number of signal contacts	2 (CP, PP)
Rated current for signal contacts	2 A
Rated voltage for signal contacts	30 V AC
Type of signal transmission	Pulse width modulation

Socket Outlet - EV-T2M3S-3AC32A-5,5M6,0E00 - 1035208

Technical data

Electrical properties

Note on the connection method	Crimp connection, cannot be disconnected
-------------------------------	--

Mechanical properties

Insertion/withdrawal cycles	> 10000
Insertion force	< 100 N
Withdrawal force	< 100 N

Mounting

Possible mounting positions	Front and rear mounting
Restrictions to mounting position	Only 0 to 90 degree frontal inclination possible, see figure
Mounting position of the locking actuator	Top center
Screw connection of a protective cover	Only possible on the front
Max. wall thickness	max. 50 mm (Rear panel mounting, normative maximum specification for infrastructure plug)
	max. 28 mm (Rear mounting, normative maximum specification for infrastructure plug when using protective cover 1405217)
	max. 10 mm (Front mounting, when using the locking mechanism)
Mounting hole diameter	7.00 mm (ø)

Design

Design line	Generation 1
Housing color	black
Customer variations	On request

Material

Material	Plastic
Material surface of contacts	Ag

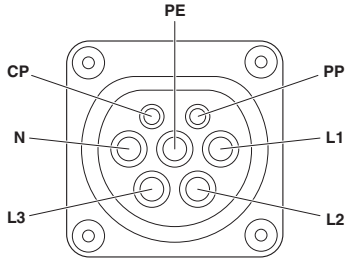
Environmental Product Compliance

REACH SVHC	Lead 7439-92-1
China RoHS	Environmentally Friendly Use Period = 10;
	For details about hazardous substances go to tab "Downloads", Category "Manufacturer's declaration"

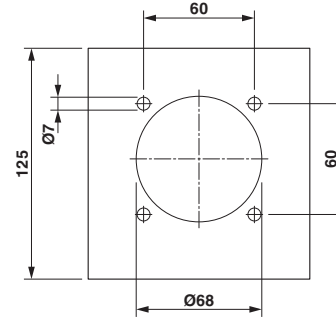
Drawings

Socket Outlet - EV-T2M3S-3AC32A-5,5M6,0E00 - 1035208

Connection diagram



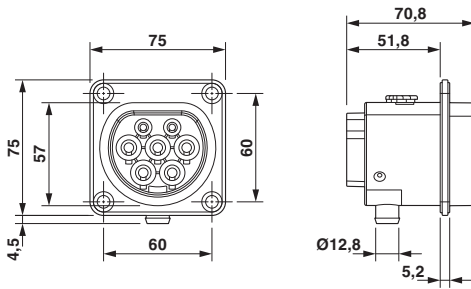
Dimensional drawing



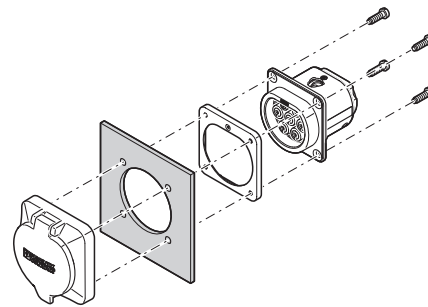
Pin assignment of Infrastructure Socket Outlet

Hole image

Dimensional drawing



Schematic diagram

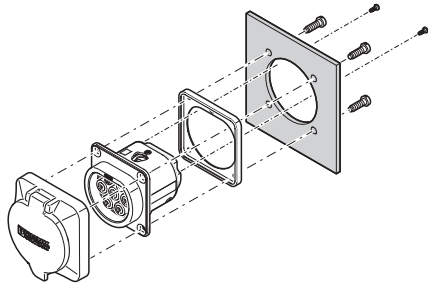


Dimensional drawing

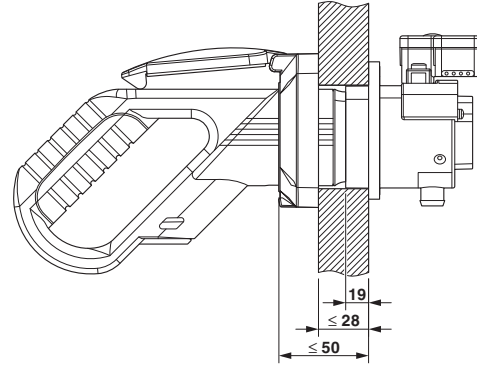
Rear mounting with rear protective cover screw connection
The screw connection for a protective cover from the accessories range (EV-T2SC) only supports rear mounting. The panel thickness must not exceed 5 mm. The sealing frame that is slid on from the rear must contact the housing panel flush with the flat side and must completely surround the infrastructure socket outlet.

Socket Outlet - EV-T2M3S-3AC32A-5,5M6,0E00 - 1035208

Schematic diagram



Schematic diagram



Front mounting with rear protective cover screw connection

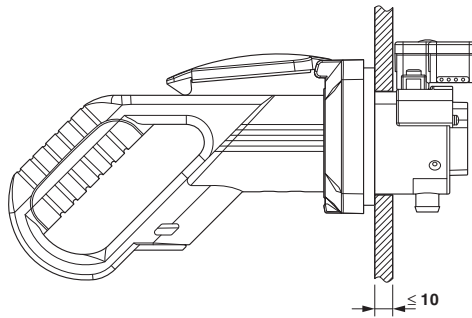
Front mounting is only possible when the locking actuator is removed.

The screw connection for a protective cover from the accessories range (EV-T2SC) only supports rear mounting. The panel thickness must not

exceed 10 mm. The sealing frame that is slid on from the front must contact the housing panel flush with the flat side and must completely surround the infrastructure socket outlet.

Panel thickness for rear mounting (max. 50 mm, with Phoenix Contact protective cover, max. 22 mm)

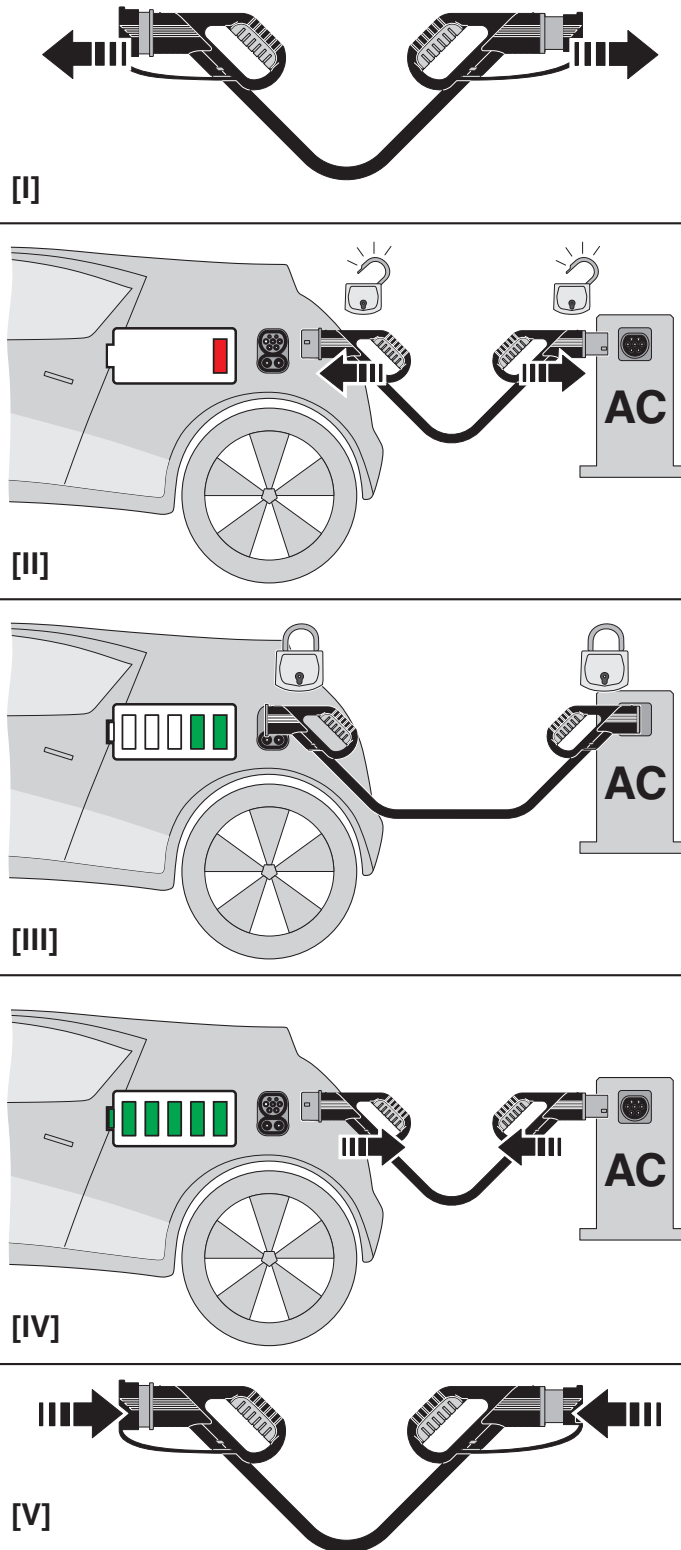
Schematic diagram



Panel thickness for front mounting (in mm)

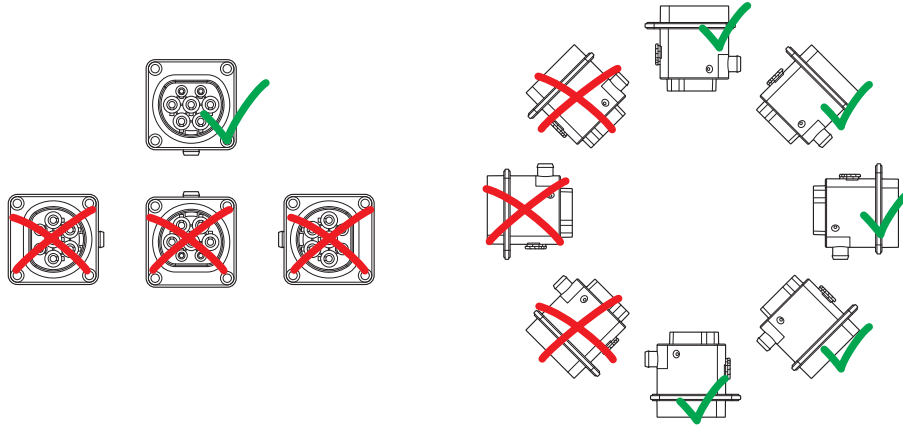
Socket Outlet - EV-T2M3S-3AC32A-5,5M6,0E00 - 1035208

Schematic diagram



Socket Outlet - EV-T2M3S-3AC32A-5,5M6,0E00 - 1035208

Schematic diagram



Installation positions

Classifications

eCl@ss

eCl@ss 10.0.1	27144706
eCl@ss 11.0	27144706
eCl@ss 9.0	27144706

ETIM

ETIM 6.0	EC002898
ETIM 7.0	EC002898