

E S6 A 300X300X160 - Empty enclosure



0899025

<https://www.phoenixcontact.com/us/products/0899025>

Please be informed that the data shown in this PDF document is generated from our online catalog. Please find the complete data in the user documentation. Our general terms of use for downloads are valid.



Empty enclosure, material: Stainless steel, 316L/1.4404, surface resistance: brushed, silver, 300 mm x 300 mm x 160 mm, type of locking: Screw-on cover, scope of supply - ATD: Mounting panel, Fixing angle with mounting screws, M12 grounding bolts, affixed externally, Installation notes, Mounting panel

Commercial data

Item number	0899025
Packing unit	1 pc
Minimum order quantity	1 pc
Note	Made to order (non-returnable)
Sales key	BH91
Product key	BH9112
Catalog page	Page 628 (C-3-2019)
GTIN	4046356927833
Weight per piece (including packing)	5.62 kg
Weight per piece (excluding packing)	5.62 kg
Customs tariff number	94032080
Country of origin	DE

E S6 A 300X300X160 - Empty enclosure



0899025

<https://www.phoenixcontact.com/us/products/0899025>

Technical data

Product properties

Product type	Terminal box
Scope of delivery	Mounting panel
	Fixing angle with mounting screws
	M12 grounding bolts, affixed externally
	Installation notes
Type	20

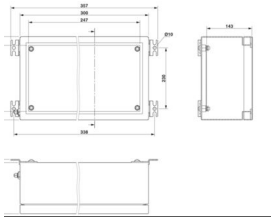
Insulation characteristics

Protection class	I
------------------	---

Electrical properties

Maximum power dissipation	14 W (T6 up to 40 °C)
	8.7 W (T6 up to 55 °C)
	5.2 W (T6 up to 65 °C)
	19.3 W (T5 up to 40 °C)
	14 W (T5 up to 55 °C)
	10.5 W (T5 up to 65 °C)
	22.8 W (T4 up to 40 °C)
	10.9 W (T4 up to 55 °C)
14 W (T4 up to 65 °C)	

Dimensions

Dimensional drawing	
Width	300 mm
Height	300 mm
Depth	160 mm
Clearance width, maximum DIN rail length	244 mm
Max. material thickness	1.5 mm

Material specifications

Color	silver
Material	Stainless steel, 316L/1.4404
Seal material	Silicon
Surface characteristics	brushed
Note	240 grain

E S6 A 300X300X160 - Empty enclosure



0899025

<https://www.phoenixcontact.com/us/products/0899025>

Mechanical properties

General

Type of locking (GRP)

Screw-on cover Allen screws

Environmental and real-life conditions

Ambient conditions

Ambient temperature (operation)

-55 °C ... 135 °C

Mounting

Assembly instructions

External fixing clips

E S6 A 300X300X160 - Empty enclosure



0899025

<https://www.phoenixcontact.com/us/products/0899025>

Classifications

ECLASS

ECLASS-11.0	27180101
ECLASS-12.0	27180101
ECLASS-13.0	27180101

ETIM

ETIM 9.0	EC000261
----------	----------

UNSPSC

UNSPSC 21.0	31261500
-------------	----------

E S6 A 300X300X160 - Empty enclosure



0899025

<https://www.phoenixcontact.com/us/products/0899025>

Environmental product compliance

China RoHS	Environmentally friendly use period: unlimited = EFUP-e No hazardous substances above threshold values
------------	---

Phoenix Contact 2024 © - all rights reserved
<https://www.phoenixcontact.com>

Phoenix Contact USA
586 Fulling Mill Road
Middletown, PA 17057, United States
(+717) 944-1300
info@phoenixcon.com