

E S6 A 400X200X120 - Empty enclosure



0899013

<https://www.phoenixcontact.com/us/products/0899013>

Please be informed that the data shown in this PDF document is generated from our online catalog. Please find the complete data in the user documentation. Our general terms of use for downloads are valid.



Empty enclosure, material: Stainless steel, 316L/1.4404, surface resistance: brushed, silver, 400 mm x 200 mm x 120 mm, type of locking: Screw-on cover, scope of supply - ATD: Mounting panel, Fixing angle with mounting screws, M12 grounding bolts, affixed externally, Installation notes, Mounting panel

Commercial data

Item number	0899013
Packing unit	1 pc
Minimum order quantity	1 pc
Note	Made to order (non-returnable)
Sales key	NULL
Product key	BH9112
Catalog page	Page 627 (C-3-2019)
GTIN	4046356927710
Weight per piece (including packing)	4.685 kg
Weight per piece (excluding packing)	4.685 kg
Customs tariff number	94032080
Country of origin	DE

E S6 A 400X200X120 - Empty enclosure



0899013

<https://www.phoenixcontact.com/us/products/0899013>

Technical data

Product properties

Product type	Terminal box
Scope of delivery	Mounting panel
	Fixing angle with mounting screws
	M12 grounding bolts, affixed externally
	Installation notes
Type	20

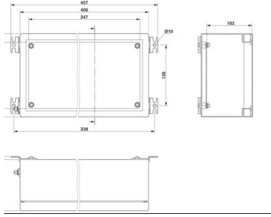
Insulation characteristics

Protection class	I
------------------	---

Electrical properties

Maximum power dissipation	13.4 W (T6 up to 40 °C)
	8.3 W (T6 up to 55 °C)
	5 W (T6 up to 65 °C)
	18.4 W (T5 up to 40 °C)
	13.4 W (T5 up to 55 °C)
	10.1 W (T5 up to 65 °C)
	21.8 W (T4 up to 40 °C)
	10.5 W (T4 up to 55 °C)
13.4 W (T4 up to 65 °C)	

Dimensions

Dimensional drawing	
Width	400 mm
Height	200 mm
Depth	120 mm
Clearance width, maximum DIN rail length	344 mm
Max. material thickness	1.5 mm

Material specifications

Color	silver
Material	Stainless steel, 316L/1.4404
Seal material	Silicon
Surface characteristics	brushed
Note	240 grain

E S6 A 400X200X120 - Empty enclosure



0899013

<https://www.phoenixcontact.com/us/products/0899013>

Mechanical properties

General

Type of locking (GRP)

Screw-on cover Allen screws

Environmental and real-life conditions

Ambient conditions

Ambient temperature (operation)

-55 °C ... 135 °C

Mounting

Assembly instructions

External fixing clips

E S6 A 400X200X120 - Empty enclosure



0899013

<https://www.phoenixcontact.com/us/products/0899013>

Classifications

ECLASS

ECLASS-11.0	27180101
ECLASS-12.0	27180101
ECLASS-13.0	27180101

ETIM

ETIM 9.0	EC000261
----------	----------

UNSPSC

UNSPSC 21.0	31261500
-------------	----------

Phoenix Contact 2024 © - all rights reserved
<https://www.phoenixcontact.com>

Phoenix Contact USA
586 Fulling Mill Road
Middletown, PA 17057, United States
(+717) 944-1300
info@phoenixcon.com