

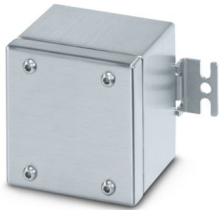
E S6 A 100X100X80 - Empty enclosure



0899000

<https://www.phoenixcontact.com/us/products/0899000>

Please be informed that the data shown in this PDF document is generated from our online catalog. Please find the complete data in the user documentation. Our general terms of use for downloads are valid.



Empty enclosure, material: Stainless steel, 316L/1.4404, surface resistance: brushed, silver, 100 mm x 100 mm x 80 mm, type of locking: Screw-on cover, scope of supply - ATD: Fixing angle with mounting screws, M12 grounding bolts, affixed externally, Installation notes, Fixing angle with mounting screws

Commercial data

Item number	0899000
Packing unit	1 pc
Minimum order quantity	1 pc
Sales key	NULL
Product key	BH9112
Catalog page	Page 626 (C-3-2019)
GTIN	4046356927581
Weight per piece (including packing)	2,914 g
Weight per piece (excluding packing)	2,161 g
Customs tariff number	94032080
Country of origin	DE

E S6 A 100X100X80 - Empty enclosure



0899000

<https://www.phoenixcontact.com/us/products/0899000>

Technical data

Notes

General	Prepared for direct installation of a DIN rail
---------	--

Product properties

Product type	Terminal box
Scope of delivery	Fixing angle with mounting screws
	M12 grounding bolts, affixed externally
	Installation notes
Type	10

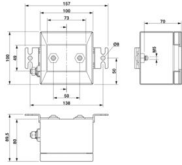
Insulation characteristics

Protection class	I
------------------	---

Electrical properties

Maximum power dissipation	3.7 W (T6 up to 40 °C)
	2.3 W (T6 up to 55 °C)
	1.3 W (T6 up to 65 °C)
	5.1 W (T5 up to 40 °C)
	3.7 W (T5 up to 55 °C)
	2.8 W (T5 up to 65 °C)
	6 W (T4 up to 40 °C)
	2.9 W (T4 up to 55 °C)
	3.7 W (T4 up to 65 °C)

Dimensions

Dimensional drawing	
Width	100 mm
Height	100 mm
Depth	80 mm
Clearance width, maximum DIN rail length	90 mm
Drill hole spacing	50 mm
Max. material thickness	1.5 mm

Material specifications

Color	silver
Material	Stainless steel, 316L/1.4404
Seal material	Silicon

E S6 A 100X100X80 - Empty enclosure



0899000

<https://www.phoenixcontact.com/us/products/0899000>

Surface characteristics	brushed
Note	240 grain

Mechanical properties

General

Type of locking (GRP)	Screw-on cover Allen screws
-----------------------	-----------------------------

Technical data

Drill hole spacing	50 mm
--------------------	-------

Environmental and real-life conditions

Ambient conditions

Ambient temperature (operation)	-55 °C ... 135 °C
---------------------------------	-------------------

Mounting

Assembly instructions	External fixing clips
-----------------------	-----------------------

E S6 A 100X100X80 - Empty enclosure



0899000

<https://www.phoenixcontact.com/us/products/0899000>

Classifications

ECLASS

ECLASS-11.0	27180101
ECLASS-12.0	27180101
ECLASS-13.0	27180101

ETIM

ETIM 9.0	EC000261
----------	----------

UNSPSC

UNSPSC 21.0	31261500
-------------	----------

E S6 A 100X100X80 - Empty enclosure



0899000

<https://www.phoenixcontact.com/us/products/0899000>

Environmental product compliance

China RoHS	Environmentally friendly use period: unlimited = EFUP-e No hazardous substances above threshold values
------------	---

Phoenix Contact 2024 © - all rights reserved
<https://www.phoenixcontact.com>

Phoenix Contact USA
586 Fulling Mill Road
Middletown, PA 17057, United States
(+717) 944-1300
info@phoenixcon.com