

E/NS 35 N-APH - Cover profile carrier



3240269

<https://www.phoenixcontact.com/us/products/3240269>

Please be informed that the data shown in this PDF document is generated from our online catalog. Please find the complete data in the user documentation. Our general terms of use for downloads are valid.



Cover profile carrier, Spacer bolt = 0.5 Nm ... 0.6 Nm, for covering hoods, material: PA, color: gray

Your advantages

- Large-surface marking

Commercial data

Item number	3240269
Packing unit	10 pc
Minimum order quantity	10 pc
Sales key	BE06
Product key	BE61ZX
GTIN	4055626049588
Weight per piece (including packing)	30 g
Weight per piece (excluding packing)	30 g
Customs tariff number	73269098
Country of origin	FR

E/NS 35 N-APH - Cover profile carrier

3240269

<https://www.phoenixcontact.com/us/products/3240269>

Technical data

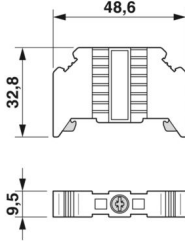
Notes

General	Spacer bolt = 0.5 Nm ... 0.6 Nm
General	Sealing screw M3 x 10 = 0.3 Nm ... 0.4 Nm

Product properties

Product type	Cover profile carrier
--------------	-----------------------

Dimensions

Dimensional drawing	
Width	9.5 mm
Height	48.6 mm
Depth	77.5 mm
Depth on NS 35/7,5	69.5 mm
Length	48.6 mm

Material specifications

Color	gray
Material	PA
Flammability rating according to UL 94	V0
Static insulating material application in cold	-60 °C
Temperature index of insulation material (DIN EN 60216-1 (VDE 0304-21))	125 °C
Relative insulation material temperature index (Elec., UL 746 B)	130 °C
Fire protection for rail vehicles (DIN EN 45545-2) R22	HL 1 - HL 3
Fire protection for rail vehicles (DIN EN 45545-2) R23	HL 1 - HL 3
Fire protection for rail vehicles (DIN EN 45545-2) R24	HL 1 - HL 3
Fire protection for rail vehicles (DIN EN 45545-2) R26	HL 1 - HL 3
Calorimetric heat release NFPA 130 (ASTM E 1354)	27,5 MJ/kg
Surface flammability NFPA 130 (ASTM E 162)	passed
Specific optical density of smoke NFPA 130 (ASTM E 662)	passed
Smoke gas toxicity NFPA 130 (SMP 800C)	passed

Environmental and real-life conditions

Ambient conditions

E/NS 35 N-APH - Cover profile carrier



3240269

<https://www.phoenixcontact.com/us/products/3240269>

Ambient temperature (operation)	-60 °C ... 105 °C (max. short-term operating temperature RTI Elec.)
Ambient temperature (storage/transport)	-25 °C ... 60 °C (for a short time, not exceeding 24 h, -60 °C to +70 °C)
Ambient temperature (assembly)	-5 °C ... 70 °C
Ambient temperature (actuation)	-5 °C ... 70 °C
Permissible humidity (storage/transport)	30 % ... 70 %

Mounting

Mounting type	NS 35/7,5
	NS 35/15

E/NS 35 N-APH - Cover profile carrier



3240269

<https://www.phoenixcontact.com/us/products/3240269>

Classifications

ECLASS

ECLASS-11.0	27141190
ECLASS-12.0	27141190
ECLASS-13.0	27141190

ETIM

ETIM 9.0	EC002848
----------	----------

UNSPSC

UNSPSC 21.0	39121400
-------------	----------

E/NS 35 N-APH - Cover profile carrier



3240269

<https://www.phoenixcontact.com/us/products/3240269>

Environmental product compliance

China RoHS	Environmentally friendly use period: unlimited = EFUP-e
	No hazardous substances above threshold values

Phoenix Contact 2024 © - all rights reserved
<https://www.phoenixcontact.com>

Phoenix Contact USA
586 Fulling Mill Road
Middletown, PA 17057, United States
(+717) 944-1300
info@phoenixcon.com