

AH-ME 115X150X80 - Covering hood

3240267

<https://www.phoenixcontact.com/us/products/3240267>

Please be informed that the data shown in this PDF document is generated from our online catalog. Please find the complete data in the user documentation. Our general terms of use for downloads are valid.



Cover, for the contact- and dust-protected encapsulation of the components

Your advantages

- The cover can be securely snapped onto the corresponding E/NS 35-N-APH end brackets and sealed as an option
- Cover profiles provide protection against unauthorized actuation of terminal strips
- This profile has been specially adapted to the shape of the test disconnect terminal blocks
- The AH-ME cover, which is enclosed on all sides, is snapped onto the end brackets and can be sealed as an option

Commercial data

| | |
|--------------------------------------|---------------------|
| Item number | 3240267 |
| Packing unit | 5 pc |
| Minimum order quantity | 5 pc |
| Product key | BE61ZX |
| Catalog page | Page 546 (C-3-2019) |
| GTIN | 4055626049571 |
| Weight per piece (including packing) | 153.04 g |
| Weight per piece (excluding packing) | 151.5 g |
| Country of origin | DE |

AH-ME 115X150X80 - Covering hood

3240267

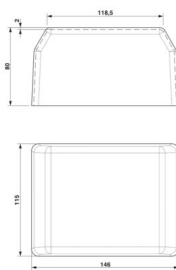
<https://www.phoenixcontact.com/us/products/3240267>

Technical data

Product properties

| | |
|--------------|---------------|
| Product type | Cover profile |
|--------------|---------------|

Dimensions

| | |
|---------------------|--|
| Dimensional drawing |  |
| Width | 150 mm |
| Height | 115 mm |
| Depth | 80 mm |
| Length | 115 mm |

Material specifications

| | |
|--|-------------|
| Color | transparent |
| Material | PC |
| Flammability rating according to UL 94 | V0 |
| Relative insulation material temperature index (Elec., UL 746 B) | 125 °C |

Environmental and real-life conditions

Ambient conditions

| | |
|--|---|
| Ambient temperature (operation) | -60 °C ... 105 °C (max. short-term operating temperature RTI Elec.) |
| Ambient temperature (storage/transport) | -25 °C ... 60 °C (for a short time, not exceeding 24 h, -60 °C to +70 °C) |
| Ambient temperature (assembly) | -5 °C ... 70 °C |
| Ambient temperature (actuation) | -5 °C ... 70 °C |
| Permissible humidity (storage/transport) | 30 % ... 70 % |

AH-ME 115X150X80 - Covering hood



3240267

<https://www.phoenixcontact.com/us/products/3240267>

Classifications

ECLASS

| | |
|-------------|----------|
| ECLASS-11.0 | 27141190 |
| ECLASS-13.0 | 27141190 |
| ECLASS-12.0 | 27141190 |

ETIM

| | |
|----------|----------|
| ETIM 9.0 | EC002848 |
|----------|----------|

UNSPSC

| | |
|-------------|----------|
| UNSPSC 21.0 | 39121400 |
|-------------|----------|

AH-ME 115X150X80 - Covering hood



3240267

<https://www.phoenixcontact.com/us/products/3240267>

Environmental product compliance

| | |
|------------|---|
| China RoHS | Environmentally friendly use period: unlimited = EFUP-e |
| | No hazardous substances above threshold values |

Phoenix Contact 2024 © - all rights reserved
<https://www.phoenixcontact.com>

Phoenix Contact USA
586 Fulling Mill Road
Middletown, PA 17057, United States
(+717) 944-1300
info@phoenixcon.com