

FLT-SEC-P-T1-N/PE-350/100-P - Type 1 surge protection plug



2905473

<https://www.phoenixcontact.com/us/products/2905473>

Please be informed that the data shown in this PDF document is generated from our online catalog. Please find the complete data in the user documentation. Our general terms of use for downloads are valid.



Replacement plug for lightning current arresters from the FLASHTRAB SEC product range, for the N-PE path.

Your advantages

- Surge protection family for universal use with optimum energy coordination from the lightning current arrester to the device protection
- Easy to maintain due to consistently pluggable protection modules
- Excellent level of information provided by mechanical/visual status indicator and remote indication contact
- Optimum protective effect in the event of high-energy lightning currents, thanks to spark gap technology with low residual voltage characteristic
- Low voltage protection level for direct protection of end devices in the main distribution area

Commercial data

Item number	2905473
Packing unit	1 pc
Minimum order quantity	1 pc
Sales key	CL01
Product key	CL1171
Catalog page	Page 37 (C-4-2019)
GTIN	4046356950725
Weight per piece (including packing)	219.7 g
Weight per piece (excluding packing)	219.7 g
Customs tariff number	85363030
Country of origin	DE

FLT-SEC-P-T1-N/PE-350/100-P - Type 1 surge protection plug

2905473

<https://www.phoenixcontact.com/us/products/2905473>

Technical data

Product properties

IEC test classification	I / II
	I
	T1 / T2
	T1
EN type	T1 / T2
	T1
IEC power supply system	TN
	TT
Type	Male
Product type	Replacement plug
Product family	SEC Family
Number of positions	1
Surge protection fault message	optical

Insulation characteristics

Overvoltage category	III
Pollution degree	2

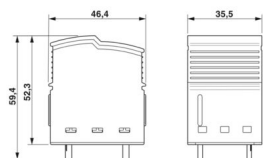
Electrical properties

Nominal frequency f_N	50 Hz (60 Hz)
-------------------------	---------------

Connection data

Connection method	pluggable
-------------------	-----------

Dimensions

Dimensional drawing	
Width	35.5 mm
Height	46.4 mm
Depth	59.4 mm
Horizontal pitch	2 Div.

Material specifications

Color	light grey (RAL 7035)
	gray (RAL 7042)
Flammability rating according to UL 94	V-0
CTI value of material	600

FLT-SEC-P-T1-N/PE-350/100-P - Type 1 surge protection plug



2905473

<https://www.phoenixcontact.com/us/products/2905473>

Insulating material	PA6.6-FR 20% GF
	PBT-FR
Material group	I
Housing material	PA 6.6-FR 20 % GF
	PBT-FR

Protective circuit

Mode of protection	N-PE
Direction of action	N-PE
Nominal voltage U_N	240 V AC (TN - only N-PE)
	240 V AC (TT - only N-PE)
Nominal frequency f_N	50 Hz (60 Hz)
Maximum continuous voltage U_C	350 V AC
Residual current I_{PE}	≤ 0.01 mA
Nominal discharge current I_n (8/20) μ s	100 kA
Impulse discharge current (10/350) μ s, charge	50 As
Impulse discharge current (10/350) μ s, specific energy	2500 kJ/ Ω
Impulse discharge current (10/350) μ s, peak value I_{imp}	100 kA
Follow current interrupt rating I_{fi}	100 A (350 V AC)
Voltage protection level U_p	≤ 1.5 kV
Residual voltage U_{res}	≤ 1.5 kV (at I_n)
	≤ 1 kV (at 10 kA)
	≤ 0.9 kV (at 5 kA)
	≤ 0.8 kV (at 3 kA)
Front of wave sparkover voltage at 6 kV (1.2/50) μ s	≤ 1.5 kV
TOV behavior at U_T	1200 V AC (200 ms / withstand mode)
Response time t_A	≤ 100 ns

Environmental and real-life conditions

Ambient conditions

Degree of protection	IP20
Ambient temperature (operation)	-40 °C ... 80 °C
Ambient temperature (storage/transport)	-40 °C ... 80 °C
Altitude	≤ 2000 m (amsl)
Permissible humidity (operation)	5 % ... 95 %
Shock (operation)	30g (Half-sine / 11 ms / 3x \pm X, \pm Y, \pm Z)
Vibration (operation)	5g (5 - 500 Hz/2.5 h/X, Y, Z)

Approvals

UL specifications

Maximum continuous operating voltage MCOV	350 V AC
Voltage protection rating VPR	1200 V
Nominal discharge current I_n	20 kA

FLT-SEC-P-T1-N/PE-350/100-P - Type 1 surge protection plug



2905473

<https://www.phoenixcontact.com/us/products/2905473>

Mode of protection	N-G
Nominal frequency	50/60 Hz
SPD Type	1CA

Standards and regulations

Standards/specifications	IEC 61643-11
Note	2011

EN 61643-11

Standards/specifications	EN 61643-11
Note	2012

Mounting

Mounting type	on base element
---------------	-----------------

FLT-SEC-P-T1-N/PE-350/100-P - Type 1 surge protection plug



2905473

<https://www.phoenixcontact.com/us/products/2905473>

Classifications

ECLASS

ECLASS-11.0	27130890
ECLASS-13.0	27171292

ETIM

ETIM 9.0	EC002496
----------	----------

UNSPSC

UNSPSC 21.0	39121600
-------------	----------

FLT-SEC-P-T1-N/PE-350/100-P - Type 1 surge protection plug



2905473

<https://www.phoenixcontact.com/us/products/2905473>

Environmental product compliance

REACH SVHC	Lead 7439-92-1
China RoHS	Environmentally Friendly Use Period = 50 years
	For information on hazardous substances, refer to the manufacturer's declaration available under "Downloads"

Phoenix Contact 2024 © - all rights reserved

<https://www.phoenixcontact.com>

Phoenix Contact USA
586 Fulling Mill Road
Middletown, PA 17057, United States
(+717) 944-1300
info@phoenixcon.com