

FLT-SEC-P-T1-1C-350/25-FM - Type 1+2 combined lightning current and surge arrester



2905414

<https://www.phoenixcontact.com/us/products/2905414>

Please be informed that the data shown in this PDF document is generated from our online catalog. Please find the complete data in the user documentation. Our general terms of use for downloads are valid.



Plug-in lightning current arrester, in accordance with Type 1/Class I, for 1-phase power supply networks with combined PE and N installed in one conductor (L1, PEN).

Your advantages

- Surge protection family for universal use with optimum energy coordination from the lightning current arrester to the device protection
- Easy to maintain due to consistently pluggable protection modules
- Excellent level of information provided by mechanical/visual status indicator and remote indication contact
- Optimum protective effect in the event of high-energy lightning currents, thanks to spark gap technology with low residual voltage characteristic
- Low voltage protection level for direct protection of end devices in the main distribution area

Commercial data

| | |
|--------------------------------------|--------------------|
| Item number | 2905414 |
| Packing unit | 1 pc |
| Minimum order quantity | 1 pc |
| Sales key | CL01 |
| Product key | CL1171 |
| Catalog page | Page 39 (C-4-2019) |
| GTIN | 4046356949460 |
| Weight per piece (including packing) | 403.8 g |
| Weight per piece (excluding packing) | 404.9 g |
| Customs tariff number | 85363010 |
| Country of origin | DE |

FLT-SEC-P-T1-1C-350/25-FM - Type 1+2 combined lightning current and surge arrester



2905414

<https://www.phoenixcontact.com/us/products/2905414>

Technical data

Notes

General

| | |
|------|--|
| Note | Max. single impulse: 100 kA (8/20 μ s) |
| | SPD according to AS/NZS 1768 Cat. C3 |

Product properties

| | |
|--------------------------------|---|
| IEC test classification | I / II |
| | I |
| | T1 / T2 |
| | T1 |
| EN type | T1 / T2 |
| | T1 |
| IEC power supply system | TN-C |
| | TT |
| Type | DIN rail module, two-section, divisible |
| Product type | Combination type |
| Product family | SEC Family |
| Number of positions | 1 |
| Surge protection fault message | Optical, remote indicator contact |

Insulation characteristics

| | |
|----------------------|-----|
| Overvoltage category | III |
| Pollution degree | 2 |

Electrical properties

| | |
|-------------------------|---------------|
| Nominal frequency f_N | 50 Hz (60 Hz) |
|-------------------------|---------------|

Indicator/remote signaling

| | |
|--------------------|--------------------------------|
| Connection name | Remote fault indicator contact |
| Switching function | Changeover contact |
| Operating voltage | 12 V AC ... 250 V AC |
| | 125 V DC (200 mA DC) |
| Operating current | 10 mA AC ... 1 A AC |
| | 1 A DC (30 V DC) |

Connection data

| | |
|-------------------|------------------|
| Connection method | Screw connection |
| Screw thread | M5 |
| Tightening torque | 4.5 Nm |
| Stripping length | 18 mm |

FLT-SEC-P-T1-1C-350/25-FM - Type 1+2 combined lightning current and surge arrester



2905414

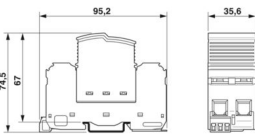
<https://www.phoenixcontact.com/us/products/2905414>

| | |
|----------------------------------|--|
| Conductor cross section flexible | 2.5 mm ² ... 35 mm ² |
| Conductor cross section rigid | 2.5 mm ² ... 35 mm ² |
| Conductor cross section AWG | 13 ... 2 |
| Connection method | Fork-type cable lug |
| Conductor cross section flexible | 1.5 mm ² ... 16 mm ² |

Remote fault indicator contact

| | |
|----------------------------------|--|
| Connection method | Plug-in/screw connection via COMBICON |
| Screw thread | M2 |
| Tightening torque | 0.25 Nm |
| Stripping length | 7 mm |
| Conductor cross section flexible | 0.14 mm ² ... 1.5 mm ² |
| Conductor cross section rigid | 0.14 mm ² ... 1.5 mm ² |
| Conductor cross section AWG | 28 ... 16 |

Dimensions

| | |
|---------------------|--|
| Dimensional drawing |  |
| Width | 35.6 mm |
| Height | 95.2 mm |
| Depth | 74.5 mm (incl. DIN rail 7.5 mm) |
| Horizontal pitch | 2 Div. |

Material specifications

| | |
|--|-----------------------------|
| Color (Male connector) | light grey (RAL 7035) |
| Color (Base element) | gray (RAL 7042) |
| Flammability rating according to UL 94 | V-0 |
| CTI value of material | 600 |
| Insulating material | PA6.6-FR 20% GF PBT-FR |
| Material group | I |
| Housing material | PA 6.6-FR 20 % GF PBT-FR |

Mechanical properties

Mechanical data

| | |
|-----------------|----|
| Open side panel | No |
|-----------------|----|

Protective circuit

| | |
|--------------------|-------|
| Mode of protection | L-PEN |
|--------------------|-------|

FLT-SEC-P-T1-1C-350/25-FM - Type 1+2 combined lightning current and surge arrester



2905414

<https://www.phoenixcontact.com/us/products/2905414>

| | |
|--|-------------------------------------|
| Direction of action | 1L-PEN |
| Nominal voltage U_N | 240 V AC (TN-C) |
| | 240 V AC (TT) |
| Nominal frequency f_N | 50 Hz (60 Hz) |
| Maximum continuous voltage U_C | 350 V AC |
| Rated load current I_L | 125 A (< 55 °C) |
| Nominal discharge current I_n (8/20) μ s | 25 kA |
| Maximum discharge current I_{max} (8/20) μ s | 50 kA |
| Impulse discharge current (10/350) μ s, charge | 12.5 As |
| Impulse discharge current (10/350) μ s, specific energy | 160 kJ/ Ω |
| Impulse discharge current (10/350) μ s, peak value I_{imp} | 25 kA |
| Follow current interrupt rating I_{fi} | 50 kA |
| Short-circuit current rating I_{SCCR} | 50 kA |
| Voltage protection level U_p | ≤ 1.5 kV |
| Residual voltage U_{res} | ≤ 1.5 kV (at I_n) |
| Front of wave sparkover voltage at 6 kV (1.2/50) μ s | ≤ 1.5 kV |
| TOV behavior at U_T | 415 V AC (5 s / withstand mode) |
| | 457 V AC (120 min / withstand mode) |
| Response time t_A | ≤ 100 ns |
| Max. backup fuse with V-type through wiring | 125 A (gG) |
| Max. backup fuse with branch wiring | 315 A (gG) |

Additional technical data

| | |
|--|-------------------|
| Short-circuit current rating I_{SCCR} | 100 kA (264 V AC) |
| Follow current interrupt rating I_{fi} | 100 kA (264 V AC) |

Environmental and real-life conditions

Ambient conditions

| | |
|---|--|
| Degree of protection | IP20 (only when all terminal points are used) |
| Ambient temperature (operation) | -40 °C ... 80 °C |
| Ambient temperature (storage/transport) | -40 °C ... 80 °C |
| Altitude | ≤ 2000 m (amsl) |
| Permissible humidity (operation) | 5 % ... 95 % |
| Shock (operation) | 30g (Half-sine / 11 ms / 3x \pm X, \pm Y, \pm Z) |
| Vibration (operation) | 5g (5 - 500 Hz/2.5 h/X, Y, Z) |

Approvals

UL specifications

| | |
|---|----------|
| Maximum continuous operating voltage MCOV | 350 V AC |
| Short-circuit current rating (SCCR) | 50 kA |
| Voltage protection rating VPR | 1500 V |
| Nominal discharge current I_n | 20 kA |

FLT-SEC-P-T1-1C-350/25-FM - Type 1+2 combined lightning current and surge arrester



2905414

<https://www.phoenixcontact.com/us/products/2905414>

| | |
|---------------------------|--------------|
| Mode of protection | L-G |
| Nominal voltage | 240 V AC |
| Rated load current I_L | 50 A |
| Power distribution system | Single phase |
| Nominal frequency | 50/60 Hz |
| SPD Type | 2CA |

UL indicator/remote signaling

| | |
|----------------------|----------|
| Operating voltage | 125 V AC |
| AC operating current | 1 A AC |

UL connection data

| | |
|-----------------------------|-------------------------|
| Tightening torque | 40 lb _F -in. |
| Conductor cross section AWG | 3 ... 2 |

Standards and regulations

| | |
|--------------------------|--------------|
| Standards/specifications | IEC 61643-11 |
| Note | 2011 |

EN 61643-11

| | |
|--------------------------|-------------|
| Standards/specifications | EN 61643-11 |
| Note | 2012 |

Mounting

| | |
|---------------|-----------------|
| Mounting type | DIN rail: 35 mm |
|---------------|-----------------|

FLT-SEC-P-T1-1C-350/25-FM - Type 1+2 combined lightning current and surge arrester



2905414

<https://www.phoenixcontact.com/us/products/2905414>

Classifications

ECLASS

| | |
|-------------|----------|
| ECLASS-11.0 | 27130802 |
| ECLASS-13.0 | 27171201 |

ETIM

| | |
|----------|----------|
| ETIM 9.0 | EC000381 |
|----------|----------|

UNSPSC

| | |
|-------------|----------|
| UNSPSC 21.0 | 39121600 |
|-------------|----------|

FLT-SEC-P-T1-1C-350/25-FM - Type 1+2 combined lightning current and surge arrester



2905414

<https://www.phoenixcontact.com/us/products/2905414>

Environmental product compliance

| | |
|------------|---|
| China RoHS | Environmentally friendly use period: unlimited = EFUP-e |
| | No hazardous substances above threshold values |

Phoenix Contact 2024 © - all rights reserved
<https://www.phoenixcontact.com>

Phoenix Contact USA
586 Fulling Mill Road
Middletown, PA 17057, United States
(+717) 944-1300
info@phoenixcon.com