

GW PL HART8+AI-BUS - Protocol converter



2702236

<https://www.phoenixcontact.com/us/products/2702236>

Please be informed that the data shown in this PDF document is generated from our online catalog. Please find the complete data in the user documentation. Our general terms of use for downloads are valid.

Eight-channel HART[®] expansion module with analog loop supply and screw connection



Commercial data

Item number	2702236
Packing unit	1 pc
Minimum order quantity	1 pc
Sales key	DN11
Product key	DNC322
Catalog page	Page 463 (C-6-2019)
GTIN	4055626067070
Weight per piece (including packing)	348.4 g
Weight per piece (excluding packing)	342.4 g
Customs tariff number	85176200
Country of origin	DE

GW PL HART8+AI-BUS - Protocol converter

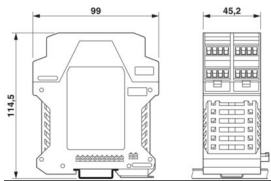


2702236

<https://www.phoenixcontact.com/us/products/2702236>

Technical data

Dimensions

Dimensional drawing	
Width	45 mm
Height	99 mm
Depth	114.5 mm

Notes

Utilization restriction

CCCex note	Use in potentially explosive areas is not permitted in China.
------------	---

Material specifications

Color	gray
-------	------

Interfaces

Data: HART FSK

Transmission speed	1200 bps
Connection method	Screw connection
No. of channels	8
Maximum output current	25 mA (per channel)

Input data

Input impedance	240 Ω
-----------------	-------

Product properties

Product type	I/O component
MTBF	208 Years (Siemens model SN29500, temperature 40°C, env. factor 1.5 and stress factor 50%)

Electrical properties

Test voltage data interface/power supply	500 V AC
--	----------

Supply

Supply voltage range	19.2 V DC ... 30 V DC (supplied from the bus)
Typical current consumption	74 mA (24 V DC with no load)
Max. current consumption	258 mA (at 24 V DC)

Environmental and real-life conditions

GW PL HART8+AI-BUS - Protocol converter



2702236

<https://www.phoenixcontact.com/us/products/2702236>

Ambient conditions

Degree of protection	IP20
Ambient temperature (operation)	-40 °C ... 70 °C
	-40 °F ... 158 °F
Ambient temperature (storage/transport)	-40 °C ... 85 °C

Approvals

Conformity/Approvals

Conformance	CE-compliant
Noxious gas test	ISA-S71.04-1985 G3 Harsh Group A

Ex data

ATEX	Ⓜ II 3 G Ex nA IIC T4 Gc DEMKO 17 ATEX 1749X
IECEX	IECEX ULD 17.0020X Ex nA IIC T4 Gc
UL, USA / Canada	Class I, Div. 2, Groups A, B, C, D

Mounting

Mounting type	DIN rail mounting
Assembly instructions	on standard DIN rail NS 35 in accordance with EN 60715
Mounting position	any

GW PL HART8+AI-BUS - Protocol converter



2702236

<https://www.phoenixcontact.com/us/products/2702236>

Classifications

ECLASS

ECLASS-11.0	27242208
ECLASS-12.0	27242208
ECLASS-13.0	27242208

ETIM

ETIM 9.0	EC001423
----------	----------

UNSPSC

UNSPSC 21.0	32151700
-------------	----------

GW PL HART8+AI-BUS - Protocol converter



2702236

<https://www.phoenixcontact.com/us/products/2702236>

Environmental product compliance

China RoHS	Environmentally Friendly Use Period = 50 years For information on hazardous substances, refer to the manufacturer's declaration available under "Downloads"
------------	--

Phoenix Contact 2024 © - all rights reserved
<https://www.phoenixcontact.com>

Phoenix Contact USA
586 Fulling Mill Road
Middletown, PA 17057, United States
(+717) 944-1300
info@phoenixcon.com