

FB-DP-RPTR - Repeater



2316373

<https://www.phoenixcontact.com/us/products/2316373>

Please be informed that the data shown in this PDF document is generated from our online catalog. Please find the complete data in the user documentation. Our general terms of use for downloads are valid.

PROFIBUS DP interface/repeater module



Product description

PROFIBUS DP repeater expansion module for the PROFIBUS DP/PA coupler system

Your advantages

- No bus addressing of device required
- Automatic detection of baud rate up to 12 Mbps
- Integrated switchable terminator
- Supported protocols: DP-V0, V1, V2, FDL, MPI, FMS and Profisafe

Commercial data

Item number	2316373
Packing unit	1 pc
Sales key	DN11
Product key	DNC135
Catalog page	Page 460 (C-6-2019)
GTIN	4055626020495
Weight per piece (including packing)	276.5 g
Weight per piece (excluding packing)	276.5 g
Customs tariff number	85176200
Country of origin	NL

FB-DP-RPTR - Repeater

2316373

<https://www.phoenixcontact.com/us/products/2316373>

Technical data

Product properties

Product type	Device coupler
--------------	----------------

Electrical properties

Supply

Supply voltage range	Supplied via backplane
Typical current consumption	± 160 mA
Max. current consumption	270 mA

Connection data

Supply

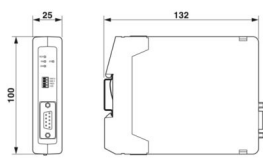
Connection method	Bus base module
Conductor cross section, flexible	0.20 mm ² ... 2.50 mm ²
Conductor cross section, rigid	0.20 mm ² ... 2.50 mm ²
Conductor cross section AWG	24 ... 12

Interfaces

Data: PROFIBUS DP

Transmission speed	12 Mbps (100 m cable length)
	1.5 Mbps (200 m cable length)
	500 kbps (400 m cable length)
	187.5 kbps (1000 m cable length)
Transmission speed range	9.6 kbps ... 93.75 kbps (1200 m cable length)
Termination resistor	390 Ω - 220 Ω - 390 Ω (switchable)

Dimensions

Dimensional drawing	
Width	25 mm
Height	100 mm
Depth	132 mm

Material specifications

Color	green
-------	-------

Environmental and real-life conditions

FB-DP-RPTR - Repeater



2316373

<https://www.phoenixcontact.com/us/products/2316373>

Ambient conditions

Degree of protection	IP20
Ambient temperature (operation)	-20 °C ... 60 °C
Ambient temperature (storage/transport)	-20 °C ... 60 °C
Altitude	2000 m
Permissible humidity (operation)	5 % ... 95 % (non-condensing)
Permissible humidity (storage/transport)	5 % ... 95 % (non-condensing)

Approvals

Conformity/Approvals

UL, USA / Canada	UL 508 Listed
UL, Canada	CSA C22.2 No. 142

Standards and regulations

Standards/regulations

Standards/regulations	Ring wave noise immunity in acc. with IEC 61000-4-12
-----------------------	--

Standards/regulations

Standards/regulations	Dry heat in acc. with IEC 61131-2
-----------------------	-----------------------------------

Standards/regulations

Standards/regulations	Damp heat in acc. with IEC 61131-2
-----------------------	------------------------------------

Standards/regulations

Standards/regulations	Shock and vibration in acc. with EN 61131-2 and EN 50178
-----------------------	--

PROFIBUS standardization

Standards/regulations	IEC 61158-2
-----------------------	-------------

Mounting

Mounting type	DIN rail: 35 mm
Mounting position	On horizontal DIN rail NS 35 in acc. with EN 60715

FB-DP-RPTR - Repeater

2316373

<https://www.phoenixcontact.com/us/products/2316373>



Classifications

ECLASS

ECLASS-11.0	27242608
ECLASS-12.0	27242608
ECLASS-13.0	27242608

ETIM

ETIM 9.0	EC001604
----------	----------

UNSPSC

UNSPSC 21.0	32151600
-------------	----------

FB-DP-RPTR - Repeater



2316373

<https://www.phoenixcontact.com/us/products/2316373>

Environmental product compliance

China RoHS	Environmentally Friendly Use Period = 50 years For information on hazardous substances, refer to the manufacturer's declaration available under "Downloads"
------------	--

Phoenix Contact 2024 © - all rights reserved
<https://www.phoenixcontact.com>

Phoenix Contact USA
586 Fulling Mill Road
Middletown, PA 17057, United States
(+717) 944-1300
info@phoenixcon.com