

ME MAX 22,5 2-2 DEV-KIT KMGY - Housing set



2202524

<https://www.phoenixcontact.com/us/products/2202524>

Please be informed that the data shown in this PDF document is generated from our online catalog. Please find the complete data in the user documentation. Our general terms of use for downloads are valid.



DEV-KIT ME MAX: contains 1 x ME MAX 22,5 2-2 housing and pluggable connection technology (4x MSTBO with 4x MSTBT), supplied in individual parts

Your advantages

- Easy installation
- Variety of connection technology

Commercial data

Item number	2202524
Packing unit	1 pc
Minimum order quantity	1 pc
Sales key	AC08
Product key	ACHABD
GTIN	4055626141749
Weight per piece (including packing)	116.2 g
Weight per piece (excluding packing)	113 g
Customs tariff number	85366990
Country of origin	DE

ME MAX 22,5 2-2 DEV-KIT KMGY - Housing set

2202524

<https://www.phoenixcontact.com/us/products/2202524>

Set consists of

ME MAX 22,5 2-2 KMGY - Electronics housing

2713625

<https://www.phoenixcontact.com/us/products/2713625>



DIN rail housing, Complete housing with metal foot catch, tall design, with vents, width: 22.6 mm, height: 99 mm, depth: 113.65 mm, color: light grey (similar RAL 7035), cross connection: DIN rail connector (optional), number of positions cross connector: 5

MSTBO 2,5/ 4-G1PR GY7035 - PCB header

2200326

<https://www.phoenixcontact.com/us/products/2200326>



PCB headers, nominal cross section: 2.5 mm², color: light grey, nominal current: 16 A, rated voltage (III/2): 320 V, contact surface: Tin, contact connection type: Pin, number of rows: 1, number of positions: 4, product range: MSTBO 2,5/..-G1PR, pitch: 5 mm, mounting: Wave soldering, pin layout: Linear pinning, solder pin [P]: 3.5 mm, number of solder pins per potential: 1, plug-in system: COMBICON MSTB 2,5, locking: without, type of packaging: packed in cardboard, Product with pin output on right side

ME MAX 22,5 2-2 DEV-KIT KMGY - Housing set

2202524

<https://www.phoenixcontact.com/us/products/2202524>

MSTBO 2,5/ 4-G1PL GY7035 - PCB header

2200325

<https://www.phoenixcontact.com/us/products/2200325>



PCB headers, nominal cross section: 2.5 mm², color: light grey, nominal current: 16 A, rated voltage (III/2): 320 V, contact surface: Tin, contact connection type: Pin, number of rows: 1, number of positions: 4, product range: MSTBO 2,5/...-G1PL, pitch: 5 mm, mounting: Wave soldering, pin layout: Linear pinning, solder pin [P]: 3.5 mm, number of solder pins per potential: 1, plug-in system: COMBICON MSTB 2,5, locking: without, type of packaging: packed in cardboard, Product with pin output on left side

MSTBT 2,5 HC/ 4-STP GY7035 - Printed-circuit board connector

2200332

<https://www.phoenixcontact.com/us/products/2200332>



PCB connector, nominal cross section: 2.5 mm², color: light grey, nominal current: 16 A, rated voltage (III/2): 320 V, contact surface: Tin, contact connection type: Socket, number of rows: 1, number of positions: 4, product range: MSTBT 2,5 HC/...-STP, pitch: 5 mm, connection method: Screw connection with tension sleeve, conductor/PCB connection direction: 0 °, locking clip: - Locking clip, plug-in system: COMBICON MSTB 2,5 HC, locking: without, mounting: without

ME MAX 22,5 2-2 DEV-KIT KMGY - Housing set

2202524

<https://www.phoenixcontact.com/us/products/2202524>



ME MAX B-22,5 KMGY - Filler plug

2707929

<https://www.phoenixcontact.com/us/products/2707929>



DIN rail housing, Filler plug for unoccupied terminal points, width: 20 mm, height: 21.6 mm, depth: 8.1 mm, color: light grey (similar RAL 7035)

ME MAX 22,5 2-2 DEV-KIT KMGY - Housing set

2202524

<https://www.phoenixcontact.com/us/products/2202524>

Technical data

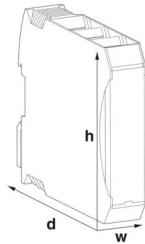
Notes

General	Refer to the data sheet for the range in the download area.
General	Material of contact pads for bus connector, galvanic gold (hard gold)

Product properties

Product type	Stackable housing set
Housing series	ME-MAX
Product family	ME MAX.. 2-2
Max. number of positions	16 (pitch: 5 mm)
Number of rows	2
Type	Set consisting of upper housing part and connection technology
Housing type	DIN rail housing
Ventilation openings present	yes

Dimensions

Dimensional drawing	
Width	22.6 mm
Height	99 mm
Depth	113.65 mm
Depth from top edge of DIN rail	107 mm

PCB design

PCB thickness	1.4 mm ... 1.8 mm
---------------	-------------------

Material specifications

Color (Housing)	light grey (RAL 7035)
Flammability rating according to UL 94	V0
CTI according to IEC 60112	600
Surface characteristics	untreated
Housing material	Polyamide

Environmental and real-life conditions

Ambient conditions

Max. IP code to attain	IP20
------------------------	------

ME MAX 22,5 2-2 DEV-KIT KMGY - Housing set



2202524

<https://www.phoenixcontact.com/us/products/2202524>

Ambient temperature (operation)	-40 °C ... 105 °C (depending on power dissipation)
---------------------------------	--

PCB data

Type of PCB mount	Latching
Thickness of the PCB	1.4 mm ... 1.8 mm

Mounting

Mounting type	DIN rail mounting
Mounting position	Vertical (horizontal DIN rail)

ME MAX 22,5 2-2 DEV-KIT KMGY - Housing set



2202524

<https://www.phoenixcontact.com/us/products/2202524>

Classifications

ECLASS

ECLASS-11.0	27182702
ECLASS-13.0	27190301

ETIM

ETIM 9.0	EC001031
----------	----------

UNSPSC

UNSPSC 21.0	31261500
-------------	----------

ME MAX 22,5 2-2 DEV-KIT KMGY - Housing set



2202524

<https://www.phoenixcontact.com/us/products/2202524>

Environmental product compliance

China RoHS	Environmentally Friendly Use Period = 50 years For information on hazardous substances, refer to the manufacturer's declaration available under "Downloads"
------------	--

Phoenix Contact 2024 © - all rights reserved
<https://www.phoenixcontact.com>

Phoenix Contact USA
586 Fulling Mill Road
Middletown, PA 17057, United States
(+717) 944-1300
info@phoenixcon.com