

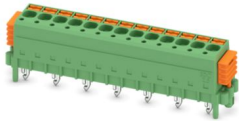
# SDC 2,5/13-PV-5,0-ZB - Direct connector



1864147

<https://www.phoenixcontact.com/us/products/1864147>

Please be informed that the data shown in this PDF document is generated from our online catalog. Please find the complete data in the user documentation. Our general terms of use for downloads are valid.



PCB direct plug, nominal cross section: 2.5 mm<sup>2</sup>, color: green, nominal current: 12 A, rated voltage (III/2): 320 V, contact surface: Tin, number of potentials: 13, number of rows: 1, number of positions: 13, number of connections: 13, product range: SDC 2,5/..-PV, pitch: 5 mm, connection method: Push-in spring connection, mounting: SKEDD - Direct plug-in technology, conductor/PCB connection direction: 90 °, pin layout: Zigzag pinning W, solder pin [P]: 4.7 mm, plug-in system: SKEDD, locking: Snap-in locking, mounting: Self-locking flange, type of packaging: packed in cardboard

## Your advantages

- SKEDD direct plug-in technology enables flexible positioning on the PCB
- Reduced component and process costs: simple insertion by hand and vibration-resistant connection
- Wide range of applications, thanks to suitability for PCBs with chemically tin-plated or Hot Air Leveling (HAL) surface
- Time saving push-in connection, tools not required
- Intuitive operation due to color-coded actuating push button
- Quick and convenient testing using integrated test option

## Commercial data

|                                      |                                |
|--------------------------------------|--------------------------------|
| Item number                          | 1864147                        |
| Packing unit                         | 50 pc                          |
| Minimum order quantity               | 50 pc                          |
| Note                                 | Made to order (non-returnable) |
| Sales key                            | AA03                           |
| Product key                          | AACDBA                         |
| GTIN                                 | 4055626210544                  |
| Weight per piece (including packing) | 16.2 g                         |
| Weight per piece (excluding packing) | 16.2 g                         |
| Customs tariff number                | 85366990                       |
| Country of origin                    | PL                             |

# SDC 2,5/13-PV-5,0-ZB - Direct connector



1864147

<https://www.phoenixcontact.com/us/products/1864147>

## Technical data

### Product properties

|                       |                       |
|-----------------------|-----------------------|
| Product line          | COMBICON Connectors M |
| Product type          | PCB direct plug       |
| Product family        | SDC 2,5/...-PV        |
| Number of positions   | 13                    |
| Pitch                 | 5 mm                  |
| Number of connections | 13                    |
| Number of rows        | 1                     |
| Number of potentials  | 13                    |
| Pin layout            | Zigzag pinning W      |

### Electrical properties

|                             |                |
|-----------------------------|----------------|
| Nominal current $I_N$       | 12 A           |
| Nominal voltage $U_N$       | 320 V          |
| Degree of pollution         | 3              |
| Contact resistance          | 1.1 m $\Omega$ |
| Rated voltage (III/3)       | 200 V          |
| Rated surge voltage (III/3) | 4 kV           |
| Rated voltage (III/2)       | 320 V          |
| Rated surge voltage (III/2) | 4 kV           |
| Rated voltage (II/2)        | 320 V          |
| Rated surge voltage (II/2)  | 4 kV           |

### Connection data

#### Connection technology

|                       |                     |
|-----------------------|---------------------|
| Connector system      | SKEDD               |
| Nominal cross section | 2.5 mm <sup>2</sup> |

#### Interlock

|                 |                     |
|-----------------|---------------------|
| Locking type    | Snap-in locking     |
| Mounting flange | Self-locking flange |

#### Conductor connection

|   |  |
|---|--|
| Connection method   | Push-in spring connection                    |
| Connection direction of the conductor to plug-in direction            | 0 °  |
| Conductor cross section rigid   | 0.2 mm <sup>2</sup> ... 2.5 mm <sup>2</sup>  |
| Conductor cross section flexible                                      | 0.2 mm <sup>2</sup> ... 2.5 mm <sup>2</sup>  |
| Conductor cross section AWG   | 24 ... 12                                    |
| Conductor cross section flexible, with ferrule without plastic sleeve | 0.25 mm <sup>2</sup> ... 2.5 mm <sup>2</sup> |
| Conductor cross section, flexible, with ferrule, with plastic sleeve  | 0.25 mm <sup>2</sup> ... 2.5 mm <sup>2</sup> |
| Cylindrical gauge a x b / diameter                                    | 2.4 mm x 1.5 mm / 2.4 mm                     |

# SDC 2,5/13-PV-5,0-ZB - Direct connector



1864147

<https://www.phoenixcontact.com/us/products/1864147>

|                  |       |
|------------------|-------|
| Stripping length | 10 mm |
|------------------|-------|

## Conductor connection

|                   |                           |
|-------------------|---------------------------|
| Connection method | Push-in spring connection |
| Stripping length  | 10 mm                     |

## Specifications for ferrules without insulating collar

|  |   |
|--|---|
| recommended crimping tool                                    | 1212045 CRIMPFOX 10S  |
| ferrules without insulating collar, according to DIN 46228-1 | Cross section: 0.25 mm <sup>2</sup> ; Length: 7 mm          |
|  | Cross section: 0.34 mm <sup>2</sup> ; Length: 7 mm          |
|  | Cross section: 0.5 mm <sup>2</sup> ; Length: 8 mm ... 10 mm |
|  | Cross section: 0.75 mm <sup>2</sup> ; Length: 10 mm         |
|  | Cross section: 1 mm <sup>2</sup> ; Length: 10 mm            |
|  | Cross section: 2.5 mm <sup>2</sup> ; Length: 10 mm          |

## Specifications for ferrules with insulating collar

|   |  |
|---|--|
| recommended crimping tool                                 | 1212045 CRIMPFOX 10S   |
| ferrules with insulating collar, according to DIN 46228-4 | Cross section: 0.25 mm <sup>2</sup> ; Length: 8 mm           |
|   | Cross section: 0.34 mm <sup>2</sup> ; Length: 8 mm ... 10 mm |
|   | Cross section: 0.5 mm <sup>2</sup> ; Length: 8 mm ... 10 mm  |
|   | Cross section: 0.75 mm <sup>2</sup> ; Length: 8 mm ... 10 mm |
|   | Cross section: 1 mm <sup>2</sup> ; Length: 8 mm ... 10 mm    |
|   | Cross section: 1.5 mm <sup>2</sup> ; Length: 8 mm ... 10 mm  |
|   | Cross section: 2.5 mm <sup>2</sup> ; Length: 10 mm           |

## Mounting

|               |                                   |
|---------------|-----------------------------------|
| Mounting type | SKEDD - Direct plug-in technology |
| Pin layout    | Zigzag pinning W                  |

## Material specifications

### Material data - contact

|   |  |
|---|--|
| Note  | WEEE/RoHS-compliant, free of whiskers according to IEC 60068-2-82/JEDEC JESD 201 |
| Contact material                            | Cu alloy   |
| Surface characteristics                     | Tin-plated   |
| Metal surface terminal point (top layer)    | Tin (4 - 8 µm Sn)  |
| Metal surface terminal point (middle layer) | Nickel (1.5 - 4 µm Ni)   |
| Metal surface contact area (top layer)      | Tin (4 - 8 µm Sn)  |
| Metal surface contact area (middle layer)   | Nickel (1.5 - 4 µm Ni)   |

### Material data - housing

|  |              |
|--|--------------|
| Color (Housing)                        | green (6021) |
| Insulating material                    | PA           |
| Insulating material group              | I            |
| CTI according to IEC 60112             | 600          |
| Flammability rating according to UL 94 | V0           |

# SDC 2,5/13-PV-5,0-ZB - Direct connector



1864147

<https://www.phoenixcontact.com/us/products/1864147>

|   |        |
|---|--------|
| Glow wire flammability index GWFI according to EN 60695-2-12      | 850    |
| Glow wire ignition temperature GWIT according to EN 60695-2-13    | 775    |
| Temperature for the ball pressure test according to EN 60695-10-2 | 125 °C |

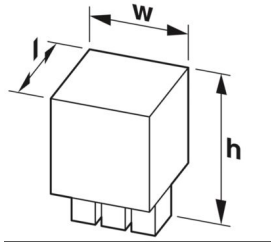
## Material data – actuating element

|  |      |
|--|------|
| Insulating material                    | PBT  |
| Insulating material group              | IIIa |
| CTI according to IEC 60112             | 275  |
| Flammability rating according to UL 94 | V0   |

## Notes

|                    |  |
|--------------------|--|
| Notes on operation | In accordance with IEC 61984, COMBICON connectors have no switching power (COC). During designated use, they must not be plugged in or disconnected when carrying voltage or under load. |
|--------------------|--|

## Dimensions

|                       |  |
|-----------------------|--|
| Dimensional drawing   |  |
| Pitch                 | 5 mm   |
| Width [w]             | 73.18 mm   |
| Height [h]            | 21.2 mm  |
| Length [l]            | 15.3 mm  |
| Installed height      | 16.2 mm  |
| Solder pin length [P] | 4.7 mm   |

## PCB design

|               |          |
|---------------|----------|
| Pin spacing   | 10.00 mm |
| Hole diameter | 2.4 mm   |

## Mechanical tests

### Conductor connection

|               |                     |
|---------------|---------------------|
| Specification | IEC 60999-1:1999-11 |
| Result        | Test passed         |

### Test for conductor damage and slackening

|               |                     |
|---------------|---------------------|
| Specification | IEC 60999-1:1999-11 |
| Result        | Test passed         |

### Repeated connection and disconnection

# SDC 2,5/13-PV-5,0-ZB - Direct connector



1864147

<https://www.phoenixcontact.com/us/products/1864147>

|               |                     |
|---------------|---------------------|
| Specification | IEC 60999-1:1999-11 |
| Result        | Test passed         |

## Pull-out test

|   |   |
|---|---|
| Specification   | IEC 60999-1:1999-11                     |
| Conductor cross section/conductor type/tractive force setpoint/actual value | 0.2 mm <sup>2</sup> / solid / > 10 N    |
|   | 0.2 mm <sup>2</sup> / flexible / > 10 N |
|   | 2.5 mm <sup>2</sup> / solid / > 50 N    |
|   | 2.5 mm <sup>2</sup> / flexible / > 50 N |

## Insertion and withdrawal forces

|                                     |             |
|-------------------------------------|-------------|
| Result                              | Test passed |
| No. of cycles                       | 25          |
| Insertion strength per pos. approx. | 8 N         |
| Withdraw strength per pos. approx.  | 6 N         |

## Contact holder in insert

|   |                        |
|---|------------------------|
| Specification                               | IEC 60512-15-1:2008-05 |
| Contact holder in insert Requirements >20 N | Test passed            |

## Resistance of inscriptions

|               |                        |
|---------------|------------------------|
| Specification | IEC 60068-2-70:1995-12 |
| Result        | Test passed            |

## Polarization and coding

|               |                        |
|---------------|------------------------|
| Specification | IEC 60512-13-5:2006-02 |
| Result        | Test passed            |

## Visual inspection

|               |                       |
|---------------|-----------------------|
| Specification | IEC 60512-1-1:2002-02 |
| Result        | Test passed           |

## Dimension check

|               |                       |
|---------------|-----------------------|
| Specification | IEC 60512-1-2:2002-02 |
| Result        | Test passed           |

## Electrical tests

### Thermal test | Test group C

|                            |                       |
|----------------------------|-----------------------|
| Specification              | IEC 60512-5-1:2002-02 |
| Tested number of positions | 16                    |

### Insulation resistance

|  |                       |
|--|-----------------------|
| Specification                                | IEC 60512-3-1:2002-02 |
| Insulation resistance, neighboring positions | > 5 MΩ                |

### Temperature cycles

|               |                     |
|---------------|---------------------|
| Specification | IEC 60999-1:1999-11 |
|---------------|---------------------|

# SDC 2,5/13-PV-5,0-ZB - Direct connector



1864147

<https://www.phoenixcontact.com/us/products/1864147>

| Result   | Test passed         |
|--|---------------------|
| Air clearances and creepage distances                  |                     |
| Specification  | IEC 60664-1:2007-04 |
| Insulating material group                              | I                   |
| Comparative tracking index (IEC 60112)                 | CTI 275             |
| Rated insulation voltage (III/3)                       | 200 V               |
| Rated surge voltage (III/3)                            | 4 kV                |
| minimum clearance value - non-homogenous field (III/3) | 3 mm                |
| minimum creepage distance (III/3)                      | 3.2 mm              |
| Rated insulation voltage (III/2)                       | 320 V               |
| Rated surge voltage (III/2)                            | 4 kV                |
| minimum clearance value - non-homogenous field (III/2) | 3 mm                |
| minimum creepage distance (III/2)                      | 3.2 mm              |
| Rated insulation voltage (II/2)                        | 320 V               |
| Rated surge voltage (II/2)                             | 4 kV                |
| minimum clearance value - non-homogenous field (II/2)  | 3 mm                |
| minimum creepage distance (II/2)                       | 3.2 mm              |

## Environmental and real-life conditions

### Vibration test

|                        |                             |
|------------------------|-----------------------------|
| Specification          | IEC 60068-2-6:2007-12       |
| Frequency              | 10 - 150 - 10 Hz            |
| Sweep speed            | 1 octave/min                |
| Amplitude              | 0.35 mm (10 Hz ... 60.1 Hz) |
| Sweep speed            | 5g (60.1 Hz ... 150 Hz)     |
| Test duration per axis | 2.5 h                       |

### Durability test

|  |                       |
|--|-----------------------|
| Specification                                | IEC 60512-9-1:2010-03 |
| Impulse withstand voltage at sea level       | 4.8 kV                |
| Contact resistance $R_1$                     | 1.1 m $\Omega$        |
| Contact resistance $R_2$                     | 1.1 m $\Omega$        |
| Insertion/withdrawal cycles                  | 25                    |
| Insulation resistance, neighboring positions | > 5 M $\Omega$        |

### Climatic test

|                                   |   |
|-----------------------------------|---|
| Specification                     | ISO 6988:1985-02  |
| Corrosive stress                  | 0.2 dm <sup>3</sup> SO <sub>2</sub> on 300 dm <sup>3</sup> /40 °C/1 cycle |
| Thermal stress                    | 100 °C/168 h  |
| Power-frequency withstand voltage | 2.21 kV   |

### Ambient conditions

|   |   |
|---|---|
| Ambient temperature (operation)         | -40 °C ... 100 °C (dependent on the derating curve) |
| Ambient temperature (storage/transport) | -40 °C ... 70 °C                                    |

# SDC 2,5/13-PV-5,0-ZB - Direct connector



1864147

<https://www.phoenixcontact.com/us/products/1864147>

|                                       |                  |
|---------------------------------------|------------------|
| Relative humidity (storage/transport) | 30 % ... 70 %    |
| Ambient temperature (assembly)        | -5 °C ... 100 °C |

## Packaging specifications

|                   |                     |
|-------------------|---------------------|
| Type of packaging | packed in cardboard |
|-------------------|---------------------|

# SDC 2,5/13-PV-5,0-ZB - Direct connector



1864147

<https://www.phoenixcontact.com/us/products/1864147>

## Classifications

### ECLASS

|             |          |
|-------------|----------|
| ECLASS-11.0 | 27460202 |
| ECLASS-12.0 | 27460202 |
| ECLASS-13.0 | 27460202 |

### ETIM

|          |          |
|----------|----------|
| ETIM 9.0 | EC002638 |
|----------|----------|

### UNSPSC

|             |          |
|-------------|----------|
| UNSPSC 21.0 | 39121400 |
|-------------|----------|



# SDC 2,5/13-PV-5,0-ZB - Direct connector



1864147

<https://www.phoenixcontact.com/us/products/1864147>

## Environmental product compliance

|            |   |
|------------|---|
| China RoHS | Environmentally friendly use period: unlimited = EFUP-e |
|            | No hazardous substances above threshold values          |

Phoenix Contact 2024 © - all rights reserved  
<https://www.phoenixcontact.com>

Phoenix Contact USA  
586 Fulling Mill Road  
Middletown, PA 17057, United States  
(+717) 944-1300  
[info@phoenixcon.com](mailto:info@phoenixcon.com)