

EV-GBDC-PARK-R - Charging connector holder



1623496

<https://www.phoenixcontact.com/us/products/1623496>

Please be informed that the data shown in this PDF document is generated from our online catalog. Please find the complete data in the user documentation. Our general terms of use for downloads are valid.



CHARX connect, Charging connector holder, Accessories, for vehicle charging connectors on charging stations (EVSE), GB/T, GB/T 20234.3, Front mounting, housing: black

Product description

Retainer for Vehicle Connector as parking position at charging stations for E-Mobility (EVSE)

Your advantages

- Developed and produced in accordance with the IATF 16949 automotive standard and ISO 9001
- Individual branding, thanks to the use your own logo

Commercial data

| | |
|--------------------------------------|--------------------|
| Item number | 1623496 |
| Packing unit | 1 pc |
| Minimum order quantity | 1 pc |
| Sales key | EM01 |
| Product key | XWBAJG |
| Catalog page | Page 43 (C-7-2019) |
| GTIN | 4055626193861 |
| Weight per piece (including packing) | 108.4 g |
| Weight per piece (excluding packing) | 105 g |
| Customs tariff number | 39269097 |
| Country of origin | CN |

EV-GBDC-PARK-R - Charging connector holder

1623496

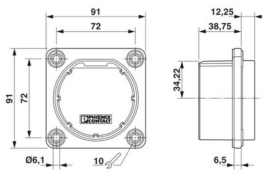
<https://www.phoenixcontact.com/us/products/1623496>

Technical data

Product properties

| | |
|-------------------|---|
| Product type | Charging connector holder |
| Product family | CHARX connect |
| Application | for vehicle charging connectors on charging stations (EVSE) |
| Type | Accessories |
| Charging standard | GB/T |
| Charging mode | Mode 4 |

Dimensions

| | |
|---------------------|---|
| Width | 91 mm |
| Height | 91 mm |
| Depth | 51 mm |
| Dimensional drawing |  |
| Bore dimensions | 72 mm x 72 mm |

Material specifications

| | |
|--|--------------|
| Color (Housing) | black (9005) |
| Material (Housing) | Plastic |
| Flammability rating according to UL 94 | V0 () |

Mechanical properties

| | |
|----------|-----------------------------|
| Securing | With actuation lever |
| Removal | Lever actuation and removal |

Environmental and real-life conditions

Ambient conditions

| | |
|---|-------------------|
| Degree of protection | IP54 (plugged in) |
| Ambient temperature (operation) | -30 °C ... 50 °C |
| Ambient temperature (storage/transport) | -40 °C ... 80 °C |

Standards and regulations

Standards

| | |
|-----------------------|--------------|
| Standards/regulations | GB/T 20234.3 |
|-----------------------|--------------|

Mounting

| | |
|---|--|
| Mounting type Charging connector holder | Front mounting (0° ... 45° frontal inclination possible) |
|---|--|

EV-GBDC-PARK-R - Charging connector holder



1623496

<https://www.phoenixcontact.com/us/products/1623496>

| | |
|------------------------|---|
| Mounting hole diameter | 6.10 mm (Reinforced hexagonal fixing with SW10) |
|------------------------|---|

EV-GBDC-PARK-R - Charging connector holder



1623496

<https://www.phoenixcontact.com/us/products/1623496>

Classifications

ECLASS

| | |
|-------------|----------|
| ECLASS-11.0 | 27144792 |
| ECLASS-12.0 | 27144792 |
| ECLASS-13.0 | 27144792 |

ETIM

| | |
|----------|----------|
| ETIM 9.0 | EC002884 |
|----------|----------|

UNSPSC

| | |
|-------------|----------|
| UNSPSC 21.0 | 39121500 |
|-------------|----------|

EV-GBDC-PARK-R - Charging connector holder



1623496

<https://www.phoenixcontact.com/us/products/1623496>

Environmental product compliance

| | |
|------------|---|
| China RoHS | Environmentally friendly use period: unlimited = EFUP-e |
| | No hazardous substances above threshold values |

Phoenix Contact 2024 © - all rights reserved
<https://www.phoenixcontact.com>

Phoenix Contact USA
586 Fulling Mill Road
Middletown, PA 17057, United States
(+717) 944-1300
info@phoenixcon.com